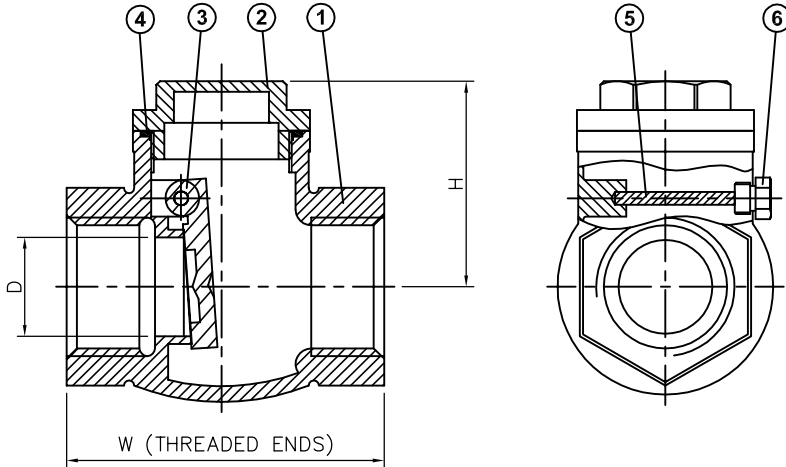


# CAST BRASS CHECK VALVES



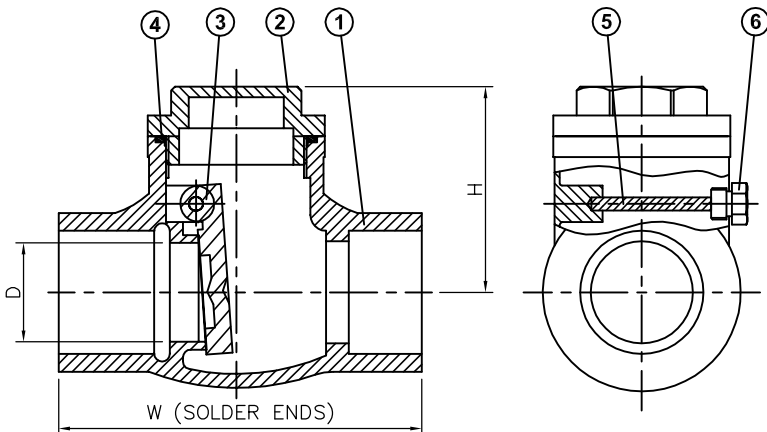
## SERIES 170

SWING TYPE, SCREWED CAP, METAL DISC, HINGE TYPE, THREADED ENDS & SOLDER ENDS, 200 WOG.



### MATERIALS LIST:

NO.	PART	SPECIFICATION
1	BODY	CAST BRASS / FORGED BRASS
2	CAP	CAST BRASS / FORGED BRASS
3	DISC	CAST BRASS / FORGED BRASS
4	GASKET	PTFE
5	HINGE PIN	COPPER ALLOY
6	HEX PLUG	COPPER ALLOY



### 170-TF



### DIMENSIONS:

SIZE		THREADED ENDS						SOLDER ENDS					
		D		W		H		D		W		H	
IN	MM	IN	MM	IN	MM	IN	MM	IN	MM	IN	MM	IN	MM
3/8"	10	0.51	13	1.85	47	2.84	72	-	-	-	-	-	-
1/2"	15	0.51	13	2.09	53	2.84	72	0.51	13	2.44	62	2.84	72
3/4"	20	0.71	18	2.36	60	3.07	78	0.71	18	3.23	82	3.07	78
1"	25	0.91	23	2.91	74	3.43	87	0.91	23	3.54	90	3.43	87
1-1/4"	32	1.22	31	3.23	82	4.02	102	1.22	31	4.25	108	4.02	102
1-1/2"	40	1.46	37	3.78	96	4.53	115	1.46	37	4.76	121	4.53	115
2"	50	1.73	44	4.25	108	5.32	135	1.73	44	5.51	140	5.32	135
2-1/2"	65	2.24	57	5.59	142	6.89	175	-	-	-	-	-	-
3"	80	2.60	66	6.02	153	7.87	200	2.60	66	7.01	178	7.87	200
4"	100	3.62	92	7.01	178	9.17	233	3.62	92	9.37	238	9.17	233

DUE TO CONTINUOUS DEVELOPMENT OF OUR PRODUCTS, WE RESERVE THE RIGHT TO MODIFY OUR PRODUCT DESIGN OR CONSTRUCTION WITHOUT PRIOR NOTICE.