

SERIES 320/420



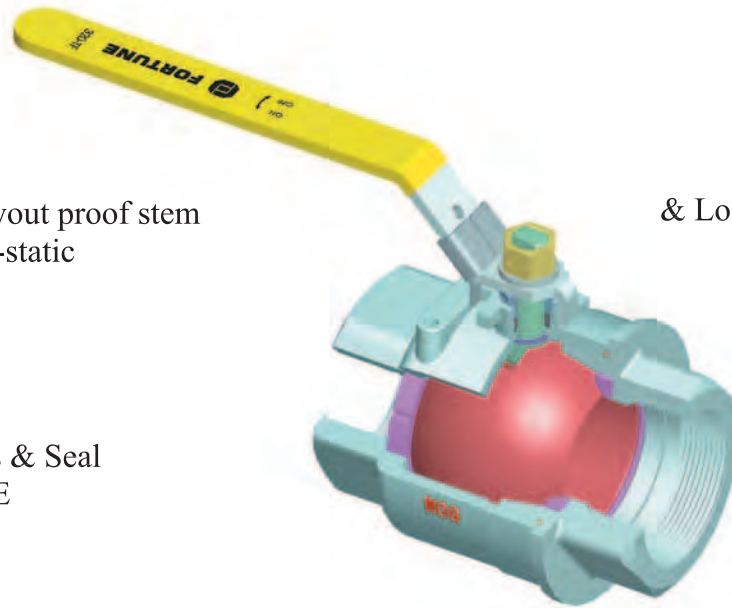
2 Piece Threaded Full Port 1/4"~3" 1000 WOG

Blowout proof stem
Anti-static

Mounting pad
& Locking device "OPTION"

Seats & Seal
PTFE

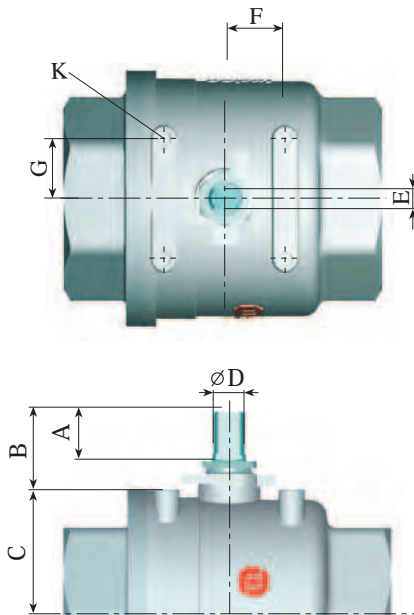
Material Available
320:CF8M
420:WCB



ACTUATOR MOUNTING DIMENSIONS

SERIES 320/420 328/428

DIMENSIONS



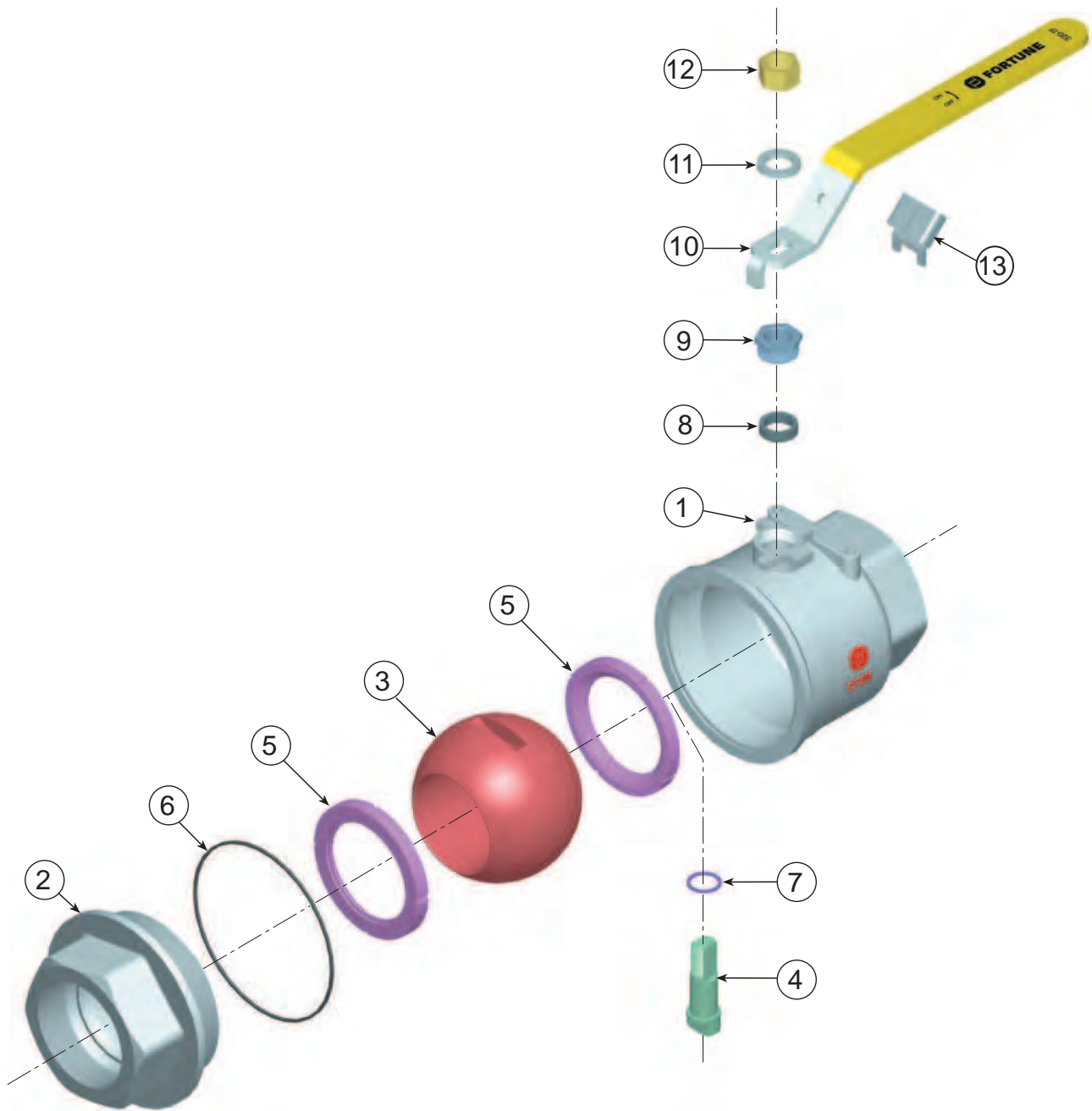
SIZE	A	B	C	D	E	F	G	K
in / DN	in / mm	in / mm	in / mm	in / mm	in / mm	in / mm	in / mm	mm
1/4 / 8	0.31 / 8.0	0.69 / 17.5	0.53 / 13.5	0.31 / 8	0.20 / 5	0.50 / 12.7	0.56 / 14.3	M5
3/8 / 10	0.31 / 8.0	0.91 / 23.0	0.55 / 14.0	0.31 / 8	0.20 / 5	0.50 / 12.7	0.56 / 14.3	M5
1/2 / 15	0.55 / 14.0	1.10 / 28.0	0.67 / 17.0	0.39 / 10	0.24 / 6	0.50 / 12.7	0.56 / 14.3	M5
3/4 / 20	0.85 / 14.0	1.12 / 28.5	0.81 / 20.5	0.39 / 10	0.24 / 6	0.87 / 22.1	0.69 / 17.4	M5
1 / 25	0.65 / 16.5	1.33 / 33.8	0.95 / 24.2	0.47 / 12	0.31 / 8	0.87 / 22.1	0.69 / 17.4	M5
1 1/4 / 32	0.65 / 16.5	1.32 / 33.5	1.20 / 30.5	0.47 / 12	0.31 / 8	0.93 / 23.6	0.75 / 19.1	M5X5 DEEP
1 1/2 / 40	0.91 / 23.0	1.64 / 41.6	1.39 / 35.4	0.63 / 16	0.39 / 10	0.93 / 23.6	0.75 / 19.1	M6X5 DEEP
2 / 50	0.91 / 23.0	1.61 / 41.0	1.73 / 44.0	0.63 / 16	0.39 / 10	0.93 / 23.6	0.75 / 19.1	M6X5 DEEP
2 1/2 / 65	1.20 / 30.5	2.11 / 53.5	2.30 / 58.5	0.79 / 20	0.47 / 12	1.38 / 35.0	1.08 / 27.5	M6X6 DEEP
3 / 80	1.20 / 30.5	2.11 / 53.7	2.69 / 68.3	0.79 / 20	0.47 / 12	1.38 / 35.0	1.08 / 27.5	M6X6 DEEP

Note: 1/4" ~ 2" : tapped 2 hole mounting pad;
2 1/2" ~ 3" : tapped 4 hole mounting pad.

SERIES 320/420

1000 WOG

THREADED END CONNECTIONS



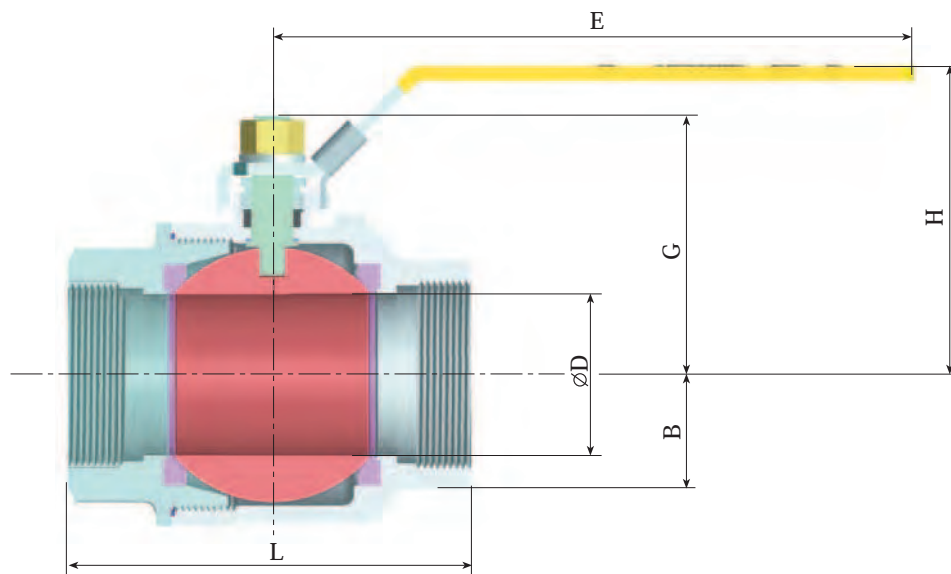
SERIES 320/420



MATERIALS LIST

ITEM	PART	320:STAINLESS STEEL	420:CARBON STEEL	Q'TY
1	BODY	ASTM A351 CF8M	ASTM A216 WCB	1
2	END CAP	ASTM A351 CF8M	ASTM A216 WCB	1
3	BALL	ASTM A351 CF8M	ASTM A351 CF8	1
4	STEM	ASTM A479 316	ASTM A479 304	1
☆ 5	SEAT	PTFE	PTFE	2
☆ 6	BODY GASKET	PTFE	PTFE	1
☆ 7	THRUST WASHER	PTFE	PTFE	1
☆ 8	PACKING	PTFE	PTFE	1
9	GLAND RETAINER NUT	304SS	304SS	1
10	HANDLE	304SS	C/S PLATED	1
11	STEM WASHER	304SS	C/S	1
12	HANDLE NUT	304SS	C/S	1
13	LOCKING DEVICE	304SS	C/S PLATED	1

Note: ☆ Minor repair kit;



DIMENSIONS

SIZE	WOG / PN	D	L	B	G	H	E	Cv	WEIGHT
		in / mm	in / mm	in / mm	in / mm	in / mm	in / mm		
1/4 / 8	1000 / 64	0.31 / 8	1.73 / 44	0.45 / 12	1.23 / 31	1.61 / 41	3.82 / 97	13	0.2
3/8 / 10	1000 / 64	0.31 / 8	1.90 / 48	0.45 / 12	1.46 / 37	1.61 / 41	3.82 / 97	24	0.2
1/2 / 15	1000 / 64	0.44 / 11	2.21 / 56	0.59 / 15	1.76 / 45	1.61 / 41	4.33 / 110	28	0.3
3/4 / 20	1000 / 64	0.69 / 18	2.42 / 62	0.74 / 19	1.91 / 49	1.90 / 48	4.33 / 110	63	0.4
1 / 25	1000 / 64	0.94 / 24	3.09 / 79	0.93 / 24	2.27 / 58	2.37 / 60	5.51 / 140	102	0.7
1 1/4 / 32	1000 / 64	1.20 / 31	3.35 / 85	1.16 / 30	2.50 / 64	2.55 / 65	5.51 / 140	162	1.0
1 1/2 / 40	1000 / 64	1.44 / 37	3.53 / 90	1.31 / 33	3.02 / 77	2.98 / 76	6.50 / 165	254	1.4
2 / 50	1000 / 64	1.94 / 49	4.31 / 110	1.67 / 43	3.34 / 85	3.42 / 87	6.50 / 165	468	2.3
2 1/2 / 65	1000 / 64	2.44 / 62	5.18 / 132	2.14 / 54	4.42 / 112	4.94 / 125	10.0 / 254	806	4.6
3 / 80	1000 / 64	2.94 / 75	6.06 / 154	2.51 / 64	4.80 / 122	5.25 / 133	10.0 / 254	1120	6.8

NOTE: " L " DIMENSION ± 0.06 in./1.5 mm
Mounting pad dimensions see page 22