

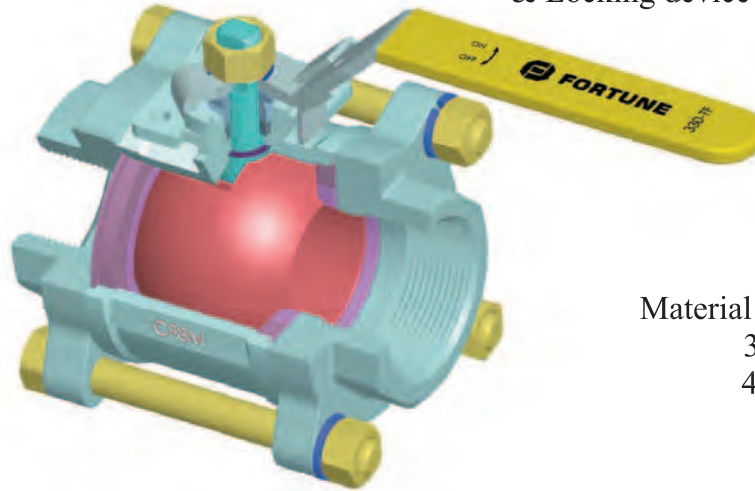
# SERIES 330/430



## 3 Piece Bolted Full Port 1/4"~3" 1000 WOG

Blowout proof stem

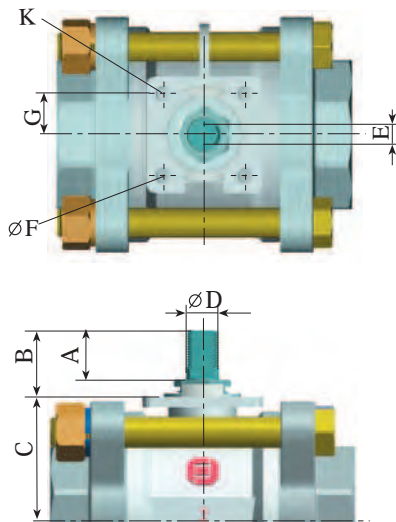
ISO Mounting pad (1/2"~3")  
& Locking device "OPTION"



Seats & seal  
PTFE

Material Available  
330:CF8M  
430:WCB

## ACTUATOR MOUNTING DIMENSIONS



## SERIES 330/430 336/436

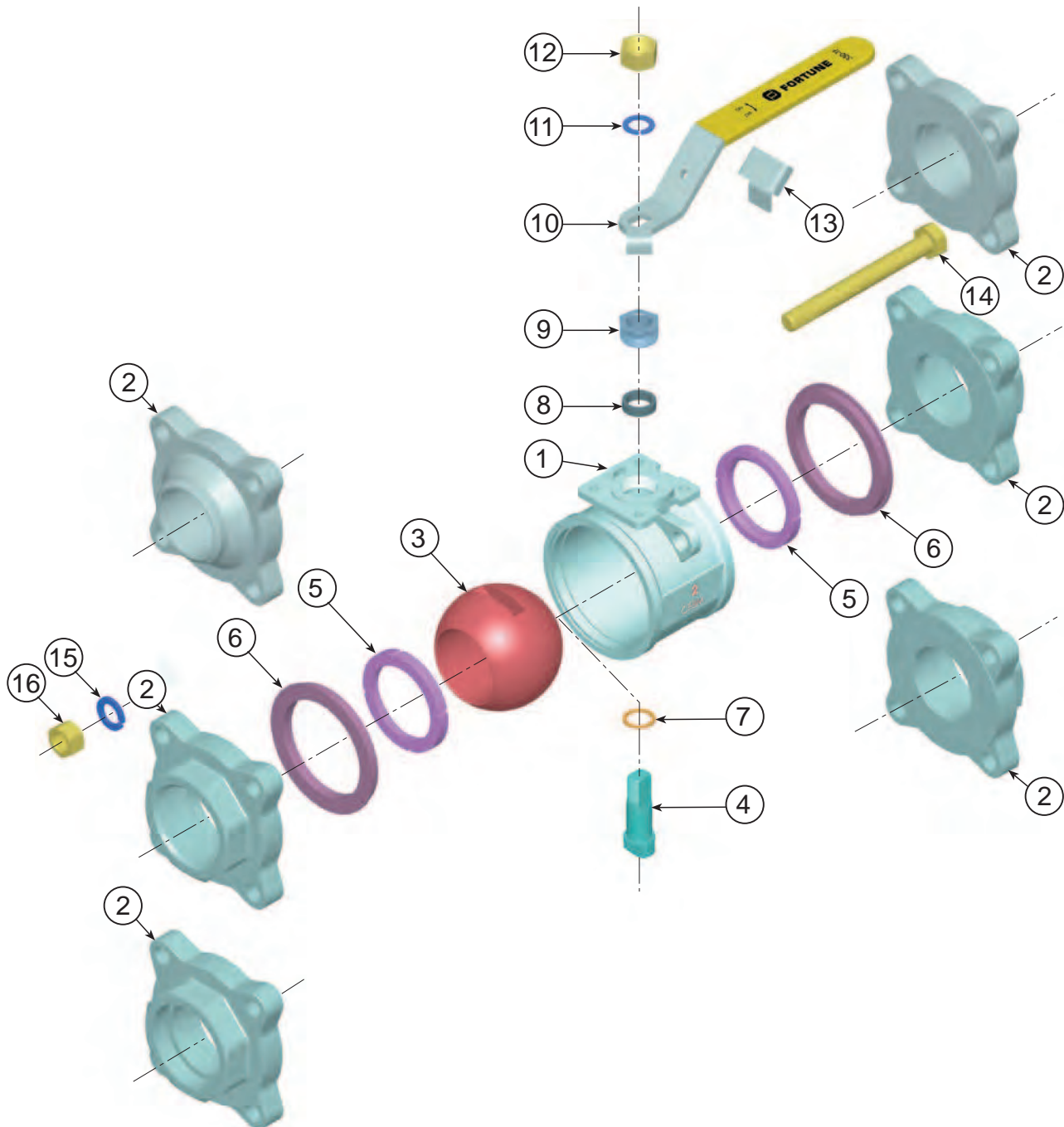
### DIMENSIONS

SIZE	A	B	C	D	E	F	G	K
in / DN	in / mm	in / mm	in / mm	in / mm	in / mm	in / mm	in / mm	mm
1/2 / 15	0.42/10.7	0.63/16.0	1.22/31.0	0.39 / 10	0.24 / 6	0.98 / 25	0.50/12.7	M5
3/4 / 20	0.43/11.0	0.67/17.0	1.34/34.0	0.39 / 10	0.24 / 6	0.98 / 25	0.50/12.7	M5
1 / 25	0.65/16.5	0.91/23.0	1.42/36.0	0.47 / 12	0.31 / 8	1.18 / 30	0.58/14.8	M5
1 1/4 / 32	0.65/16.5	0.91/23.0	1.65/42.0	0.47 / 12	0.31 / 8	1.18 / 30	0.58/14.8	M5
1 1/2 / 40	0.93/23.5	1.20/30.5	1.87/47.5	0.63 / 16	0.39 / 10	1.38 / 35	0.70/17.7	M6
2 / 50	0.93/23.5	1.20/30.5	2.19/55.5	0.63 / 16	0.39 / 10	1.38 / 35	0.70/17.7	M6
2 1/2 / 65	1.10/28.0	1.44/36.5	2.97/75.5	0.79 / 20	0.47 / 12	2.09 / 53	0.97/24.7	M8
3 / 80	1.10/28.0	1.44/36.5	3.37/85.5	0.79 / 20	0.47 / 12	2.76 / 70	0.97/24.7	M10

# SERIES 330/430

1000 WOG

THREADED, SOCKET WELD or BUTT WELD END CONNECTIONS



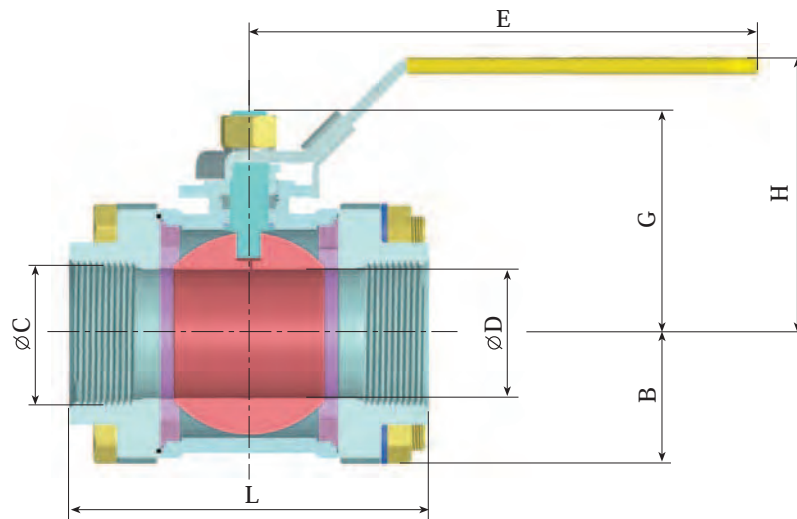
# SERIES 330/430



## MATERIALS LIST

ITEM	PART	330: STAINLESS STEEL	430: CARBON STEEL	Q' TY
1	BODY	ASTM A351 CF8M	ASTM A216 WCB	1
2	END CAP	ASTM A351 CF8M	ASTM A216 WCB	2
3	BALL	ASTM A351 CF8M	ASTM A351 CF8	1
4	STEM	ASTM A479 316	ASTM A479 304	1
☆ 5	SEAT	PTFE	PTFE	2
☆ 6	BODY GASKET	PTFE	PTFE	1
☆ 7	THRUST WASHER	PTFE	PTFE	1
☆ 8	PACKING	PTFE	PTFE	1
9	GLAND RETAINER NUT	304SS	304SS	1
10	HANDLE	304SS	C/S PLATED	1
11	STEM WASHER	304SS	C/S	1
12	HANDLE NUT	304SS	C/S	1
13	LOCKING DEVICE	304SS	C/S PLATED	1
14	BOLT	304SS	ASTM A193 B7M	4
15	BOLT WASHER	304SS	C/S	4~8
16	NUT	304SS	ASTM A194 2HM	4~8

Note: ☆ Minor repair kit;



## DIMENSIONS

SIZE	WOG / PN	D in / mm	C				L in / mm	B in / mm	G in / mm	H in / mm	E in / mm	Cv gal/min	WEIGHT kg
			SW in / mm	BW (sch40) in / mm	BW (sch80) in / mm	BW (sch80) in / mm							
1/4 / 8	1000 / 64	0.36 / 9	—	0.36 / 9	0.30 / 8	2.17 / 55	0.74 / 19	1.23 / 31	1.86 / 47	3.82 / 97	13	0.3	
3/8 / 10	1000 / 64	0.49 / 13	—	0.49 / 13	0.42 / 11	2.17 / 55	0.78 / 20	1.46 / 37	1.99 / 51	3.82 / 97	26	0.3	
1/2 / 15	1000 / 64	0.59 / 15	0.88 / 22	0.62 / 16	0.54 / 14	2.58 / 66	0.92 / 23	1.84 / 47	2.44 / 62	4.92 / 125	30	0.6	
3/4 / 20	1000 / 64	0.79 / 20	1.07 / 27	0.83 / 21	0.74 / 19	2.99 / 76	1.01 / 26	1.99 / 51	2.58 / 66	4.92 / 125	65	0.8	
1 / 25	1000 / 64	0.98 / 25	1.33 / 34	1.05 / 27	0.96 / 24	3.39 / 86	1.11 / 28	2.33 / 59	2.78 / 71	6.10 / 155	110	1.1	
1 1/4 / 32	1000 / 64	1.26 / 32	1.68 / 43	1.38 / 35	1.28 / 33	4.02 / 102	1.40 / 36	2.56 / 65	3.01 / 77	6.10 / 155	170	2.0	
1 1/2 / 40	1000 / 64	1.50 / 38	1.92 / 49	1.61 / 41	1.50 / 38	4.61 / 117	1.61 / 41	3.08 / 78	3.26 / 83	6.69 / 170	260	2.6	
2 / 50	1000 / 64	1.97 / 50	2.41 / 61	2.07 / 53	1.94 / 49	5.12 / 130	1.96 / 50	3.40 / 86	3.57 / 91	6.69 / 170	480	3.8	
2 1/2 / 65	1000 / 64	2.56 / 65	2.91 / 74	2.47 / 63	2.32 / 59	6.50 / 165	2.46 / 62	4.42 / 112	5.33 / 135	9.92 / 252	820	8.6	
3 / 80	1000 / 64	3.15 / 80	3.54 / 90	3.07 / 78	2.90 / 74	7.20 / 183	2.87 / 73	4.80 / 122	5.71 / 145	9.92 / 252	1200	12.0	

NOTE: "L" DIMENSION ± 0.06 in./1.5 mm

Mounting pad dimensions see page 22