

CARBON STEEL BALL VALVES



SERIES 413

1-PIECE BODY, HEXAGONAL TYPE, REDUCED PORT, BLOWOUT-PROOF STEM, THREADED ENDS TO ANSI B1.20.1(NPT), 1/4"~2", 2000PSI WOG, CONFORMS TO ASME B16.34, NACE MR-0175, MSS SP-110, WW-V-35, TYPE II, CLASS C&D STYLE 1&3.

SPECIFICATIONS AND STANDARDS

ISO 9001:2000

Registered quality system

MSS SP110

ASME B1.20.1

API 598

MSS SP25

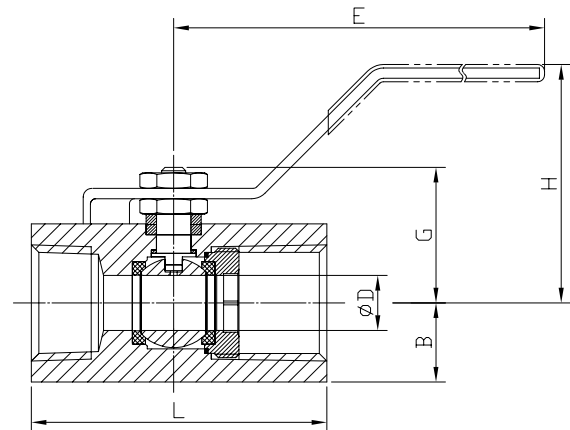
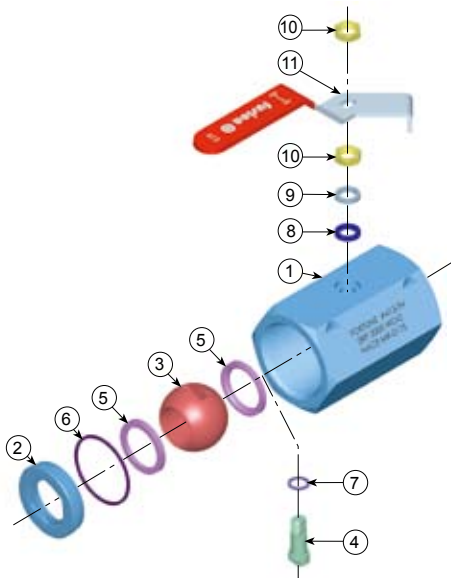
Canadian Registration Number(CRN)

MATERIALS LIST

ITEM	PART	CARBON STEEL	Q'TY
1	BODY	A696 Gr.C	1
2	SEAT RETAINER	ASTM A216 WCB or A696 Gr.C	1
3	BALL	ASTM A351 CF8	1
4	STEM	ASTM A479 304	1
☆ 5	SEAT	RTFE	2
☆ 6	GASKET	PTFE	1
☆ 7	THRUST WASHER	RTFE	1
☆ 8	PACKING	PTFE	1
9	GLAND	304SS	1
◇ 10	NUT	C/S PLATED	2
11	HANDLE	C/S PLATED WITH VINYL GRIP	1

Note: ☆ Minor repair kit;

◇ Item 10: is a nut and spring washer for 1/4" and 3/8" only



DIMENSIONS

SIZE	WOG / PN	D		L		B		G		H		E		Cv	WEIGHT
		in / mm	in / mm	in / mm	in / mm	in / mm	in / mm	in / mm	in / mm	in / mm	in / mm				
1/4 / 8	2000 / 130	0.20 / 5	1.55 / 39	0.37 / 10	0.74 / 19	1.24 / 32	2.63 / 67	2	0.1						
3/8 / 10	2000 / 130	0.28 / 7	1.79 / 46	0.45 / 12	0.86 / 22	1.32 / 34	2.63 / 67	3	0.2						
1/2 / 15	2000 / 130	0.36 / 9	2.20 / 56	0.57 / 15	1.09 / 28	2.25 / 57	4.65 / 118	5	0.3						
3/4 / 20	2000 / 130	0.49 / 13	2.36 / 60	0.69 / 18	1.24 / 32	2.37 / 60	4.65 / 118	9	0.5						
1 / 25	2000 / 130	0.63 / 16	2.87 / 73	0.81 / 21	1.51 / 38	2.56 / 65	4.72 / 120	13	1.0						
1 1/4 / 32	2000 / 130	0.79 / 20	3.08 / 78	1.06 / 27	1.79 / 46	2.91 / 74	5.75 / 146	21	1.4						
1 1/2 / 40	2000 / 130	0.96 / 25	3.32 / 84	1.14 / 29	2.03 / 52	3.06 / 78	5.75 / 146	32	1.7						
2 / 50	2000 / 130	1.26 / 32	3.98 / 101	1.44 / 37	2.32 / 59	3.42 / 87	6.00 / 153	55	2.8						

NOTE: "L" DIMENSION ± 0.06 in./1.5 mm

DUE TO CONTINUOUS DEVELOPMENT OF OUR PRODUCTS, WE RESERVE THE RIGHT TO MODIFY OUR PRODUCT DESIGN OR CONSTRUCTION WITHOUT PRIOR NOTICE.