

CARBON STEEL BALL VALVES



SERIES 415

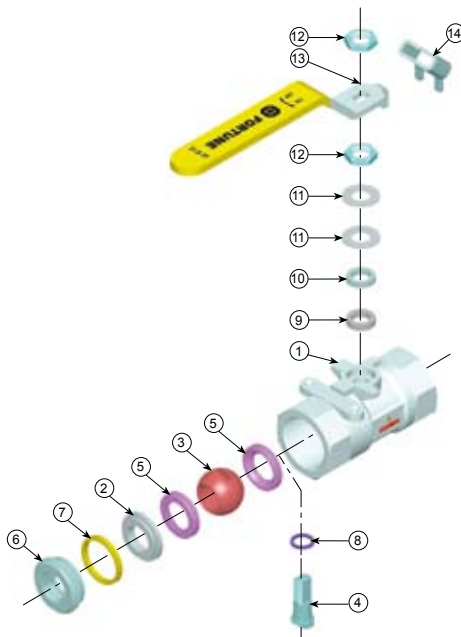
1-PIECE, REDUCED PORT, THREADED ENDS, 2000 WOG, FIRE SAFE TO API 607, MOUNTING PAD AND LOCKING HANDLE "OPTION", CONFORMS TO WW-V-35, TYPE II, CLASS C&D, STYLE 1&3.

SPECIFICATIONS AND STANDARDS

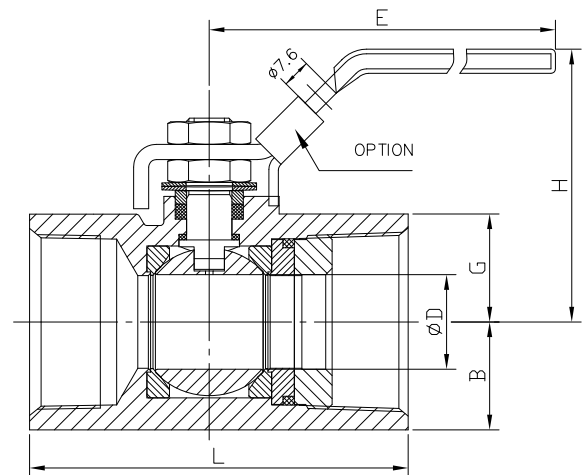
ISO 9001:2000
Registered quality system
MSS SP110
ASME B1.20.1
API 598
API 607
MSS SP25
Canadian Registration Number(CRN)

MATERIALS LIST

ITEM	PART	CARBON STEEL	Q'TY
1	BODY	ASTM A216 WCB	1
2	SEAT RETAINER	ASTM A216 WCB	1
3	BALL	ASTM A351 CF8	1
4	STEM	ASTM A479 304	1
☆ 5	SEAT	RTFE	2
6	RETAINER NUT	ASTM A216 WCB	1
☆ 7	GASKET	GRAPHITE	1
☆ 8	THRUST WASHER	RTFE	1
☆ 9	PACKING	GRAPHITE	1
10	GLAND	304SS	1
11	BELLEVILLE WASHER	C/S PLATED	2
12	NUT	C/S	2
13	HANDLE	C/S PLATED	1
14	LOCKING DEVICE	C/S PLATED	1



Note: ☆ Minor repair kit;



DIMENSIONS

SIZE	WOG / PN	D	L	B	G	H	E	Cv	WEIGHT
in / DN		in / mm	in / mm	in / mm	in / mm	in / mm	in / mm	gal/min	kg
1/4 / 8	2000 / 130	0.36 / 9	2.32 / 59	0.53 / 14	1.08 / 28	1.73 / 44	4.37 / 111	5	0.3
3/8 / 10	2000 / 130	0.36 / 9	2.32 / 59	0.53 / 14	1.08 / 28	1.73 / 44	4.37 / 111	5	0.3
1/2 / 15	2000 / 130	0.36 / 9	2.64 / 67	0.53 / 14	1.08 / 28	1.73 / 44	4.37 / 111	5	0.3
3/4 / 20	2000 / 130	0.49 / 13	2.80 / 71	0.66 / 17	1.25 / 32	1.87 / 48	4.37 / 111	9	0.4
1 / 25	2000 / 130	0.63 / 16	3.31 / 84	0.81 / 21	1.61 / 41	2.36 / 60	5.57 / 142	13	0.7
1 1/4 / 32	2000 / 130	0.79 / 20	3.70 / 94	0.98 / 25	1.79 / 46	2.56 / 65	5.57 / 142	21	1.0
1 1/2 / 40	2000 / 130	0.96 / 25	3.94 / 100	1.12 / 29	2.12 / 54	2.80 / 71	6.50 / 165	32	1.3
2 / 50	2000 / 130	1.26 / 32	4.65 / 118	1.37 / 35	2.34 / 60	3.01 / 77	6.50 / 165	55	2.0

NOTE: "L" DIMENSION ± 0.06 in./1.5 mm

DUE TO CONTINUOUS DEVELOPMENT OF OUR PRODUCTS, WE RESERVE THE RIGHT TO MODIFY OUR PRODUCT DESIGN OR CONSTRUCTION WITHOUT PRIOR NOTICE.