

CARBON STEEL BALL VALVES



SERIES 428

2-PIECE, FULL PORT, THREADED ENDS, 1/4"~2", 2000PSI WOG, 2-1/2"~3": 1500 WOG, MOUNTING PAD AND LOCKING HANDLE "OPTION", API 607 FIRE SAFE CERTIFIED, MSS SP-110 DESIGNED FEDERAL SPECIFICATION WW-V-35B, TYPE II, CLASS C, STYLE 3.

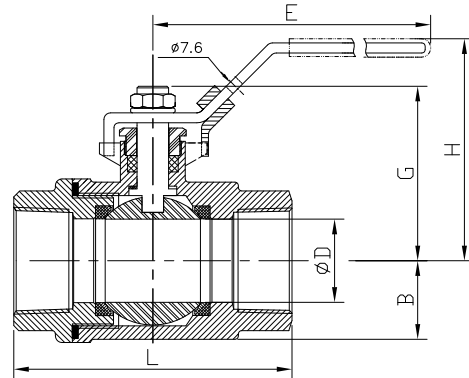
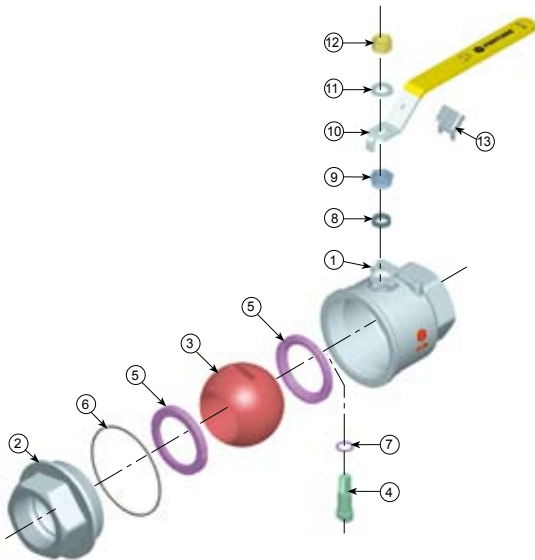
SPECIFICATIONS AND STANDARDS

ISO 9001:2000
 Registered quality system
 MSS SP110
 ASME B1.20.1
 API 598
 MSS SP25
 Canadian Registration Number(CRN)

MATERIALS LIST

ITEM	PART	CARBON STEEL	Q'TY
1	BODY	ASTM A216 WCB	1
2	END CAP	ASTM A216 WCB	1
3	BALL	ASTM A351 CF8	1
4	STEM	ASTM A479 304	1
☆ 5	SEAT	RTFE	2
☆ 6	BODY GASKET	PTFE	1
☆ 7	THRUST WASHER	RTFE	1
☆ 8	PACKING	PTFE / GRAPHITE	1
9	GLAND RETAINER NUT	304SS	1
10	HANDLE	C/S PLATED	1
11	STEM WASHER	C/S	1
12	HANDLE NUT	C/S	1
13	LOCKING DEVICE	C/S PLATED	1

Note: ☆ Minor repair kit;
 Option: DA Seal Weld / M Pad / L Handle
 FL Fire Safe / Locking handle / Seal Welded



DIMENSIONS

SIZE	WOG / PN	D	L	B	G	H	E	Cv	WEIGHT
		in / mm	in / mm	in / mm	in / mm	in / mm	in / mm		
1/4 / 8	2000 / 130	0.36 / 9	1.86 / 48	0.52 / 13	1.23 / 31	1.86 / 47	3.82 / 97	13	0.2
3/8 / 10	2000 / 130	0.49 / 13	2.04 / 52	0.59 / 15	1.46 / 37	1.99 / 51	3.82 / 97	26	0.3
1/2 / 15	2000 / 130	0.59 / 15	2.50 / 64	0.71 / 18	1.76 / 45	2.07 / 53	4.33 / 110	30	0.4
3/4 / 20	2000 / 130	0.79 / 20	2.81 / 72	0.85 / 22	1.91 / 49	2.21 / 56	4.33 / 110	65	0.5
1 / 25	2000 / 130	0.98 / 25	3.31 / 84	1.00 / 26	2.27 / 58	2.72 / 69	5.57 / 142	110	0.9
1 1/4 / 32	2000 / 130	1.26 / 32	3.70 / 94	1.26 / 32	2.50 / 64	2.95 / 75	5.57 / 142	170	1.3
1 1/2 / 40	2000 / 130	1.50 / 38	4.35 / 111	1.45 / 37	3.02 / 77	3.22 / 82	6.50 / 165	260	1.9
2 / 50	2000 / 130	1.97 / 50	4.86 / 124	1.79 / 46	3.34 / 85	3.54 / 90	6.50 / 165	480	3.1
2 1/2 / 65	1500 / 100	2.56 / 65	6.48 / 165	2.30 / 59	4.42 / 112	5.33 / 135	9.80 / 249	820	6.4
3 / 80	1500 / 100	3.15 / 80	7.20 / 183	2.72 / 69	4.80 / 122	5.71 / 145	9.80 / 249	1200	10.0

NOTE: "L" DIMENSION ± 0.06 in./1.5 mm

DUE TO CONTINUOUS DEVELOPMENT OF OUR PRODUCTS, WE RESERVE THE RIGHT TO MODIFY OUR PRODUCT DESIGN OR CONSTRUCTION WITHOUT PRIOR NOTICE.