

CARBON STEEL BALL VALVES



SERIES 436

3-PIECE, FULL PORT, THREADED ENDS, SOCKET WELD ENDS AND BUTT WELD ENDS, 1/4"~2":2000 WOG, 2-1/2"~3": 1500 WOG, MOUNTING PAD AND LOCKING HANDLE "OPTION", MSS SP-110 DESIGNED, FEDERAL SPECIFICATION WW-V-35B, TYPE II, CLASS C, STYLE 1.

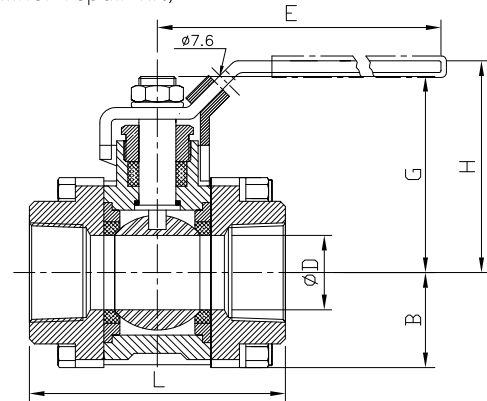
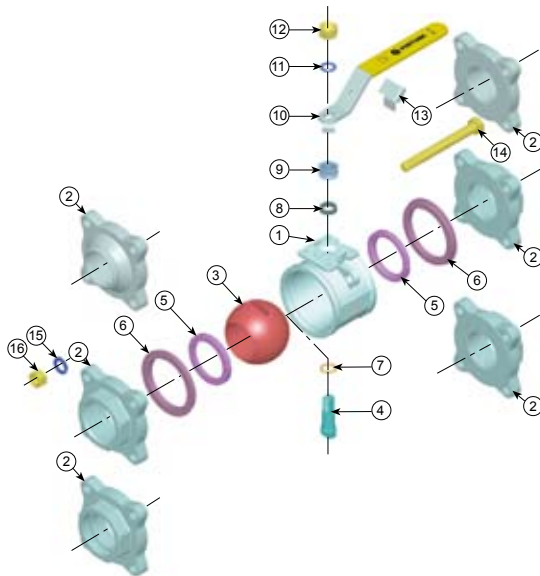
SPECIFICATIONS AND STANDARDS

ISO 9001:2000
Registered quality system
MSS SP110
ASME B1.20.1
API 598
MSS SP25
Canadian Registration Number(CRN)

MATERIALS LIST

ITEM	PART	CARBON STEEL	Q'TY
1	BODY	ASTM A216 WCB	1
2	END CAP	ASTM A216 WCB	2
3	BALL	ASTM A351 CF8	1
4	STEM	ASTM A479 304	1
☆ 5	SEAT	RTFE	2
☆ 6	BODY GASKET	PTFE	1
☆ 7	THRUST WASHER	RTFE	1
☆ 8	PACKING	PTFE	1
9	GLAND RETAINER NUT	304SS	1
10	HANDLE	C/S PLATED	1
11	STEM WASHER	C/S	1
12	HANDLE NUT	C/S	1
13	LOCKING DEVICE	C/S PLATED	1
14	BOLT	ASTM A193 B7M	4
15	BOLT WASHER	C/S	4~8
16	NUT	ASTM A194 2HM	4~8

Note: ☆ Minor repair kit;



DIMENSIONS

SIZE in / DN	WOG / PN	D in / mm	C			L in / mm	B in / mm	G in / mm	H in / mm	E in / mm	Cv gal/min	WEIGHT kg
			SW in / mm	BW(sch40) in / mm	BW(sch80) in / mm							
1/4 / 8	2000/130	0.36 / 9	—	0.36 / 9	0.30 / 8	2.17 / 55	0.74 / 19	1.23 / 31	1.86 / 47	3.82 / 97	13	0.3
3/8 / 10	2000/130	0.49 / 13	—	0.49 / 13	0.42 / 11	2.17 / 55	0.78 / 20	1.46 / 37	1.99 / 51	3.82 / 97	26	0.3
1/2 / 15	2000/130	0.59 / 15	0.88 / 22	0.62 / 16	0.54 / 14	2.58 / 66	0.92 / 23	1.84 / 47	2.44 / 62	4.92 / 125	30	0.6
3/4 / 20	2000/130	0.79 / 20	1.07 / 27	0.83 / 21	0.74 / 19	2.99 / 76	1.01 / 26	1.99 / 51	2.58 / 66	4.92 / 125	65	0.8
1 / 25	2000/130	0.98 / 25	1.33 / 34	1.05 / 27	0.96 / 24	3.39 / 86	1.11 / 28	2.33 / 59	2.78 / 71	6.10 / 155	110	1.1
1 1/4 / 32	2000/130	1.26 / 32	1.68 / 43	1.38 / 35	1.28 / 33	4.02 / 102	1.40 / 36	2.56 / 65	3.01 / 77	6.10 / 155	170	2.0
1 1/2 / 40	2000/130	1.50 / 38	1.92 / 49	1.61 / 41	1.50 / 38	4.61 / 117	1.61 / 41	3.08 / 78	3.26 / 83	6.69 / 170	260	2.6
2 / 50	2000/130	1.97 / 50	2.41 / 61	2.07 / 53	1.94 / 49	5.12 / 130	1.96 / 50	3.40 / 86	3.57 / 91	6.69 / 170	480	4.3
2 1/2 / 65	1500/100	2.56 / 65	2.91 / 74	2.47 / 63	2.32 / 59	6.50 / 165	2.46 / 62	4.42 / 112	5.33 / 135	9.92 / 252	820	9.2
3 / 80	1500/100	3.15 / 80	3.54 / 90	3.07 / 78	2.90 / 74	7.20 / 183	2.87 / 73	4.80 / 122	5.71 / 145	9.92 / 252	1200	13.6

NOTE: "L" DIMENSION ± 0.06 in./1.5 mm

DUE TO CONTINUOUS DEVELOPMENT OF OUR PRODUCTS, WE RESERVE THE RIGHT TO MODIFY OUR PRODUCT DESIGN OR CONSTRUCTION WITHOUT PRIOR NOTICE.