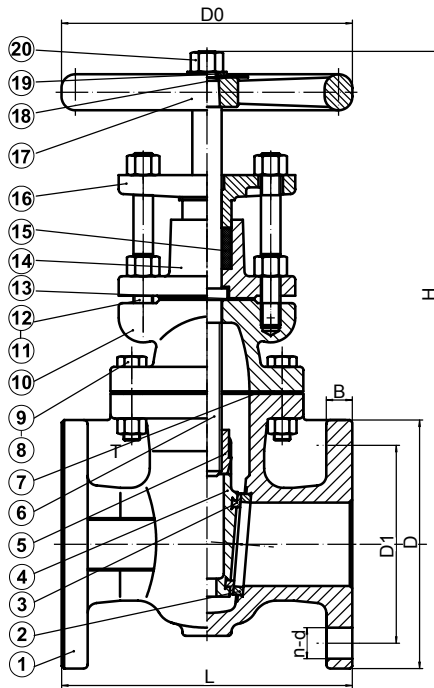


## SERIES 550

CLASS 125, FLANGED ENDS (TO ANSI B16.1), BOLTED BONNET, NON-RISING STEM, FACE-TO-FACE DIMENSIONS TO ANSI B16.10, MSS SP-70 DESIGN, SIZE:2"~24".



550-FF



### MATERIALS LIST:

NO.	PART	SPECIFICATION
1	BODY	ASTM A126 CLASS B
2	BODY SEAT RING	ASTM B62
3	WEDGE SEAT RING	ASTM B62
4	WEDGE	ASTM A126 CLASS B
5	WEDGE NUT	Mn-BRASS
6	STEM	ASTM B16
7	GASKET	NON ASBESTOS
8	BOLT	ASTM A307-B
9	NUT	ASTM A563-B
10	BONNET	ASTM A126 CLASS B
11	GLAND FOLLOWER BOLT	ASTM A307-B
12	NUT	ASTM A563-B
13	GASKET	NON ASBESTOS
14	STUFFING BOX	ASTM A126 CLASS B
15	PACKING	NON ASBESTOS
16	GLAND FOLLOWER	ASTM A536 65-45-12
17	HANDWHEEL	ASTM A126 CLASS B
18	IDENTIFICATION PLATE	ALUMINUM
19	WASHER	Steel
20	NUT	ASTM A563-B

### DIMENSIONS:

SIZE		L		D		D1		B		D0		H		n-d
IN	MM	IN	MM	IN	MM	IN	MM	IN	MM	IN	MM	IN	MM	
2"	50	7	177.8	6	152	4.76	121	0.63	15.9	7	178	11.89	302	4-19
2-1/2"	65	7.5	190	7	178	5.50	140	0.69	17.5	7	178	13.07	332	4-19
3"	80	8	203.2	7.5	190	6	152.5	0.75	19	8	200	13.19	335	4-19
4"	100	9	228.6	9	228.6	7.5	190.5	0.94	23.8	10	254	16.65	423	8-19
5"	125	10	254	10	254	8.5	215.9	0.94	23.8	12	300	19.09	485	8-22.2
6"	150	10.5	266.7	11	279.4	9.5	241.3	1.00	25.4	12	300	21.46	545	8-22.2
8"	200	11.5	292.1	13.5	343	11.75	298.5	1.13	28.6	13.7	348	25.35	644	8-22.2
10"	250	13	330.2	16	406	14.25	362	1.19	30.2	16	400	30.28	769	12-25.4
12"	300	14	355.6	19	483	17	432	1.25	31.8	18	457	33.86	860	12-25.4
14"	350	15	381	21	533.4	18.75	476.3	1.37	34.9	22	560	38.86	987	12-28.6
16"	400	16	406.4	23.5	597	21.25	539.8	1.44	36.5	22	560	41.10	1044	16-28.6
18"	450	17	432	25	635	22.76	578	1.56	39.7	24	610	45.20	1148	16-32
20"	500	18	457	27.5	699	25	635	1.69	42.9	24	610	49.49	1257	20-32
24"	600	20	508	32	813	29.5	749.5	1.87	47.6	30	765	55.83	1418	20-35

DUE TO CONTINUOUS DEVELOPMENT OF OUR PRODUCTS, WE RESERVE THE RIGHT TO MODIFY OUR PRODUCT DESIGN OR CONSTRUCTION WITHOUT PRIOR NOTICE.