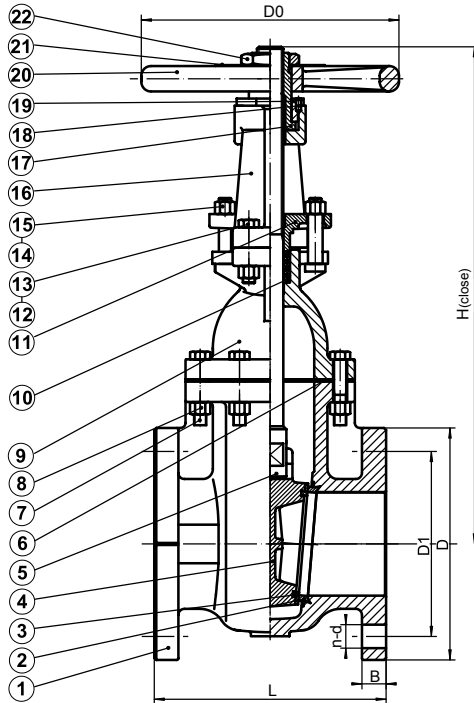


CAST IRON GATE VALVES



SERIES 553

CLASS 125, FLANGED ENDS (TO ANSI B16.1), BOLTED BONNET, RISING STEM, FACE-TO-FACE DIMENSIONS TO ANSI B16.10, MSS SP-70 DESIGEND, SIZE:2"~16".



553-FF



MATERIALS LIST:

NO.	PART	SPECIFICATION
1	BODY	ASTM A126 CLASS B
2	BODY SEAT RING	ASTM B62
3	WEDGE SEAT RING	ASTM B62
4	WEDGE	ASTM A126 CLASS B
5	STEM	ASTM B16
6	GASKET	NON ASBESTOS
7	BOLT	ASTM A307-B
8	NUT	ASTM A563-B
9	BONNET	ASTM A126 CLASS B
10	PACKING	NON ASBESTOS
11	GLAND FOLLOWER	ASTM A536 65-45-12
12	BOLT	STEEL
13	NUT	STEEL
14	BOLT	STEEL
15	NUT	STEEL
16	YOKE	ASTM A126-B
17	STEM NUT	Mn-BRASS
18	SCREW	STEEL
19	NUT	ASTM A126 CLASS B
20	HANDWHEEL	ASTM A126 CLASS B
21	IDENTIFICATION	ALUMINUM
22	HANDWHEEL NUT	STEEL

DIMENSIONS:

SIZE		L		D		D1		B		D0		H		n-d
IN	MM	IN	MM	IN	MM	IN	MM	IN	MM	IN	MM	IN	MM	
2"	50	7	177.8	6	152	4.76	121	0.63	15.9	7	178	12.24	311	4-19
2-1/2"	65	7.5	190	7	178	5.50	140	0.69	17.5	7	178	13.66	347	4-19
3"	80	8	203.2	7.5	190	6	152.5	0.75	19	8	200	15.12	384	4-19
4"	100	9	228.6	9	228.6	7.5	190.5	0.94	23.8	10	254	19.29	490	8-19
5"	125	10	254	10	254	8.5	215.9	0.94	23.8	12	300	21.30	541	8-22.2
6"	150	10.5	266.7	11	279.4	9.5	241.3	1.00	25.4	12	300	25.83	656	8-22.2
8"	200	11.5	292.1	13.5	343	11.75	298.5	1.13	28.6	13.7	348	30.63	778	8-22.2
10"	250	13	330.2	16	406	14.25	362	1.19	30.2	16	400	36.73	933	12-25.4
12"	300	14	355.6	19	483	17	432	1.25	31.8	18	457	43.39	1102	12-25.4
14"	350	15	381	21	533.4	18.75	476.3	1.37	34.9	22	560	49.57	1259	12-28.6
16"	400	16	406.4	23.5	597	21.25	539.8	1.44	36.5	22	560	54.92	1395	16-28.6
18"	450	17	432	25	635	22.76	578	1.56	39.7	24	610	61.42	1560	16-32
20"	500	18	457	27.5	699	25	635	1.69	42.9	24	610	67.24	1708	20-32
24"	600	20	508	32	813	29.5	749.5	1.87	47.6	30	765	78.35	1990	20-35

DUE TO CONTINUOUS DEVELOPMENT OF OUR PRODUCTS, WE RESERVE THE RIGHT TO MODIFY OUR PRODUCT DESIGN OR CONSTRUCTION WITHOUT PRIOR NOTICE.