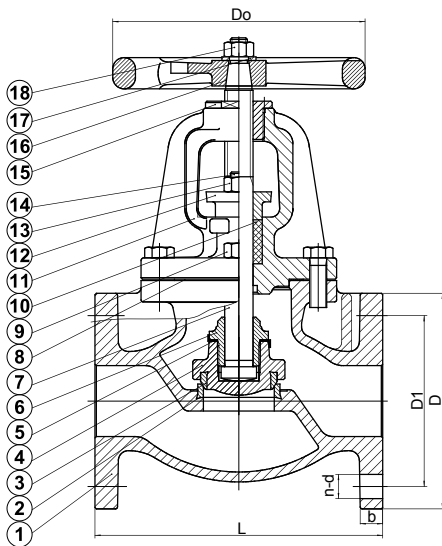


CAST IRON GLOBE VALVES



SERIES 560

CLASS 125, FLANGED ENDS (TO ANSI B16.1), BOLTED BONNET, FACE-TO-FACE DIMENSIONS TO ANSI B16.10, MSS SP-85 DESIGNED, SIZE:2"~12".



MATERIALS LIST:

NO.	PART	SPECIFICATION
1	BODY	ASTM A126 CLASS B
2	BODY SEAT RING	ASTM B62
3	DISC SEAT RING	ASTM B62
4	DISC	ASTM A126 CLASS B
5	WASHER	ASTM 304
6	DISC NUT	Mn-BRASS
7	STEM	ASTM B16
8	GASKET	NON ASBESTOS
9	BOLT	ASTM A307-B
10	PACKING	NON ASBESTOS
11	BONNET	ASTM A126 CLASS B
12	PACKING GLAND	ASTM A536 65-45-12
13	NUT	STEEL
14	BOLT	STEEL
15	STEM NUT	Mn-BRASS
16	HANDWHEEL	ASTM A126 CLASS B
17	WASHER	STEEL
18	NUT	ASTM A563-B

DIMENSIONS:

SIZE		L		D		D1		B		D0		n-d
IN	MM	IN	MM	IN	MM	IN	MM	IN	MM	IN	MM	
2"	50	8.00	203	6.00	152	4.75	120.5	0.63	15.9	7	178	4-19
2-1/2"	65	8.50	216	7.00	178	5.50	139.5	0.69	17.5	7	178	4-19
3"	80	9.50	241	7.50	190	6.00	152.5	0.75	19.1	8	200	4-19
4"	100	11.50	292	9.00	229	7.50	190.5	0.94	23.9	10	254	8-19
5"	125	13.00	330	10.00	254	8.50	216	0.94	23.9	12	300	8-22
6"	150	14.00	356	11.00	279	9.50	241.5	1.00	25.4	12	300	8-22
8"	200	19.50	495	13.50	343	11.75	298.5	1.13	28.6	13.7	348	8-22
10"	250	24.50	622	16.00	406	14.25	362	1.19	30.2	16	400	12-25
12"	300	27.50	698.5	19.00	483	17.00	432.0	1.25	31.8	18	457	12-25

DUE TO CONTINUOUS DEVELOPMENT OF OUR PRODUCTS, WE RESERVE THE RIGHT TO MODIFY OUR PRODUCT DESIGN OR CONSTRUCTION WITHOUT PRIOR NOTICE.