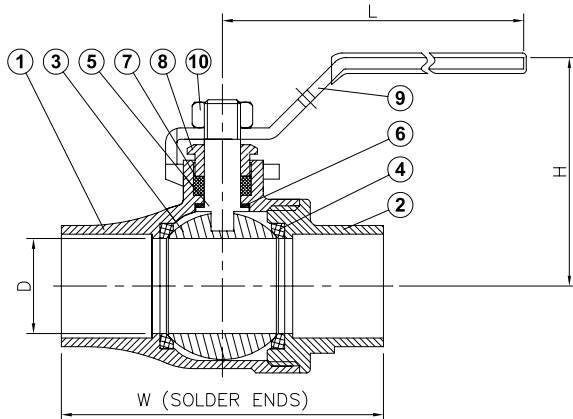
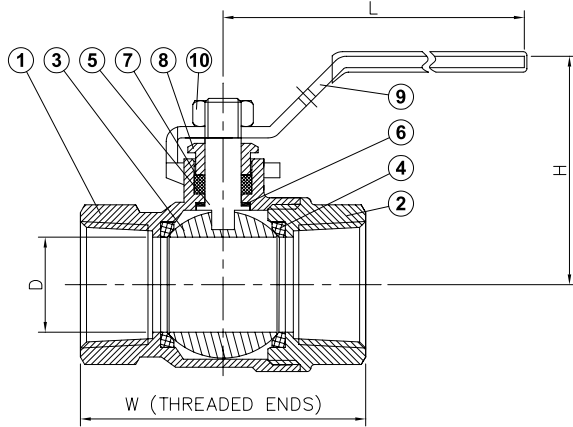


BRONZE BALL VALVES



SERIES 620

2-PIECE, FULL PORT, THREADED ENDS & SOLDER ENDS, 600 WOG, 150 SWP, CONFORM TO FEDERAL SPECIFICATION WW-V-35, TYPE II, CLASS A, STYLE 3 & MSS SP-110.



MATERIALS LIST:

NO.	PART	SPECIFICATION
1	BODY	BRONZE ASTM B584 C84400
2	CAP	BRONZE ASTM B584 C84400
3	BALL	COPPER ALLOY, CHROME PLATED
4	SEAT	PTFE
5	STEM	COPPER ALLOY
6	THRUST WASHER	PTFE
7	PACKING	PTFE
8	GLAND	COPPER ALLOY
9	HANDLE	CARBON STEEL PLATED
10	NUT	CARBON STEEL PLATED

OPTION: (Code: Description)

AG: Locking Handle (Available in 1/4" to 2")

620-TF



620-CC



DIMENSIONS:

SIZE		D		W				H		L	
				THREADED ENDS		SOLDER ENDS					
IN	MM	IN	MM	IN	MM	IN	MM	IN	MM	IN	MM
1/4"	8	0.38	9.5	1.87	47.5	1.57	40	1.47	33	3.15	80
3/8"	10	0.38	9.5	1.87	47.5	1.57	40	1.47	33	3.15	80
1/2"	15	0.50	12.7	2.11	53.7	2.09	53	1.96	41	3.64	92.5
3/4"	20	0.75	19	2.39	60.6	2.83	72	2.14	54	3.64	92.5
1"	25	0.99	25	2.90	73.6	3.45	87.6	2.52	64.1	4.39	111.5
1-1/4"	32	1.20	30.5	3.30	83.8	3.87	98.2	2.68	71.5	4.39	111.5
1-1/2"	40	1.50	38	3.63	92.2	4.46	113.2	3.16	81.8	6.10	155
2"	50	1.97	50	4.15	105.5	5.51	140.0	3.54	100.8	6.10	155
2-1/2"	65	2.5	63.5	6.11	155.2	6.38	162	3.96	124.5	7.01	178
3"	80	3.0	76.2	6.64	168.6	7.34	186.3	4.32	146	7.01	178

DUE TO CONTINUOUS DEVELOPMENT OF OUR PRODUCTS, WE RESERVE THE RIGHT TO MODIFY OUR PRODUCT DESIGN OR CONSTRUCTION WITHOUT PRIOR NOTICE.