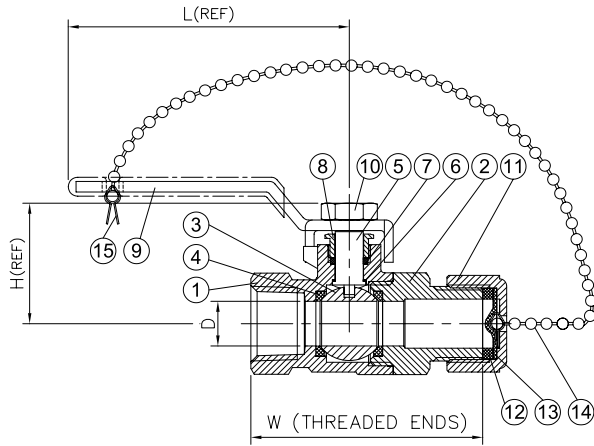


BRONZE BALL VALVES



SERIES 628

2-PIECE, FULL PORT, THREADED ENDS & SOLDER ENDS, 600 WOG, 150 SWP, CONFORM TO MSS SP-110.

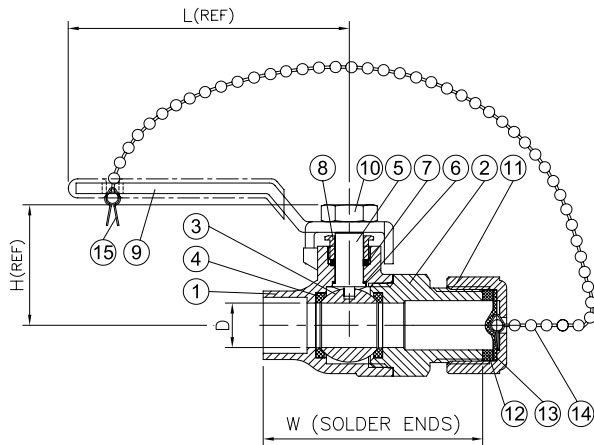


MATERIALS LIST:

NO.	PART	SPECIFICATION
1	BODY	BRONZE ASTM B584 C84400
2	CAP	BRASS ASTM B124 C37700
3	BALL	BRASS ASTM B16
4	SEAT	PTFE
5	STEM	BRASS ASTM B16
6	THRUST WASHER	PTFE
7	PACKING	PTFE
8	GLAND	BRASS ASTM B16
9	HANDLE	CARBON STEEL PLATED
10	NUT	CARBON STEEL PLATED
11	CAP	BRASS ASTM B124 C37700
12	PACKING	NBR
13	PACKING	NBR
14	CHAIN	CARBON STEEL PLATED
15	FASTENER	CARBON STEEL PLATED

OPTION: (Code: Description)

TD: SS 316 Ball & Stem.



628-TN



628-CN



DIMENSIONS:

SIZE		D		W				H		L	
IN	MM	IN	MM	THREADED ENDS		SOLDER ENDS		IN	MM	IN	MM
1/2"	15.0	0.50	12.7	2.60	66.0	2.46	62.5	1.35	34.3	3.15	80.0
3/4"	20.0	0.75	19.0	2.97	75.5	3.11	79.1	1.61	40.9	3.64	92.5

DUE TO CONTINUOUS DEVELOPMENT OF OUR PRODUCTS, WE RESERVE THE RIGHT TO MODIFY OUR PRODUCT DESIGN OR CONSTRUCTION WITHOUT PRIOR NOTICE.