

# Fusion Series 322

>> Threaded and Socketweld Full Port Two-Piece Ball Valve

>> 1/4" – 2" sizes, Class 800 or 3000 WOG

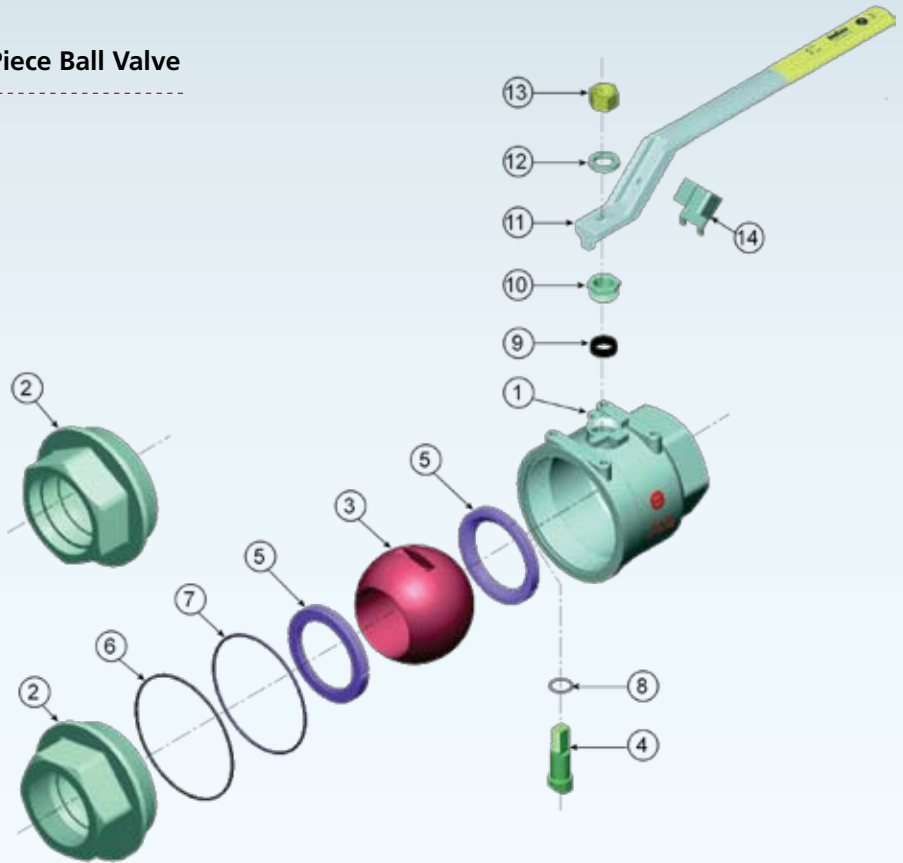
>> 2 1/2" – 3" sizes, Class 600 or 2000 WOG

>> Firesafe Certified to API 607 Rev. 4

>> Standard ISO 5211 Mounting Pad

>> Standard Locking Handle

>> Anti-static Design to BS 5351 (1/2" to 2")



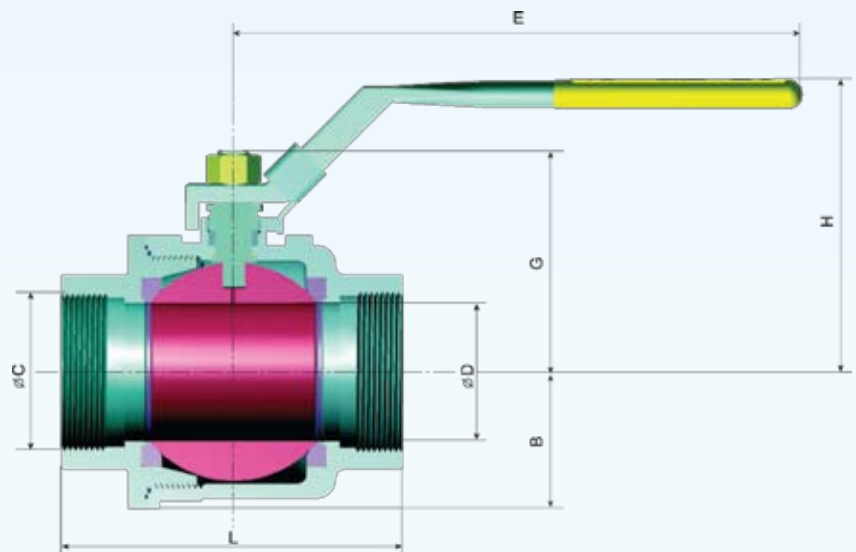
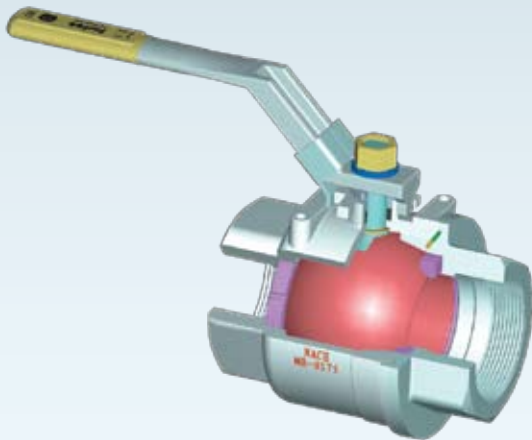
## Bill of Materials

ITEM	PART	STAINLESS STEEL	SOUR LOW TEMP (NACE)	SOUR (NACE)	QTY
1	BODY	ASTM A351 CF8M (316SS)	ASTM A352 LCC (CS)	ASTM A216 WCB (CS)	1
2	END CAP	ASTM A351 CF8M (316SS)	ASTM A352 LCC (CS)	ASTM A216 WCB (CS)	1
3	BALL	ASTM A351 CF8M (316SS)	ASTM A351 CF8M (316SS)	ASTM A351 CF8M (316SS)	1
4	STEM	ASTM A479 316SS	ASTM A479 316SS	ASTM A479 316SS	1
☆ 5	SEAT	RTFE / RTFM	RTFE / RTFM	RTFE / RTFM	2
☆ 6	BODY GASKET	GRAPHITE	GRAPHITE	GRAPHITE	1
☆ 7	BODY O-RING	TEFLON	VITON	VITON	1
☆ 8	THRUST WASHER	RTFE / RTFM	RTFE / RTFM	RTFE / RTFM	1
☆ 9	PACKING	GRAPHITE	GRAPHITE	GRAPHITE	1
10	GLAND RETAINER NUT	304SS	304SS	304SS	1
11	HANDLE	304SS	CS PLATED	CS PLATED	1
12	STEM WASHER	304SS	CS	CS	1
13	HANDLE NUT	304SS	CS	CS	1
14	LOCKING DEVICE	304SS	CS PLATED	CS PLATED	1

Note: ☆ Minor repair kit;



# Fusion Series 322



## Weights and Dimensions

SIZE	CLASS / PN	D	C	L	B	G	H	E	Cv	WEIGHT
In / DN		In / mm	In / mm	In / mm	In / mm	In / mm	In / mm	In / mm	gal / min	Kg / Lbs
1/4 / 8	800 / 130	0.36 / 9	0.56 / 14	2.11 / 54	0.63 / 16	1.23 / 31	1.86 / 47	3.82 / 97	13	0.3 / 0.7
3/8 / 10	800 / 130	0.36 / 9	0.69 / 18	2.11 / 54	0.63 / 16	1.23 / 31	1.86 / 47	3.82 / 97	13	0.3 / 0.7
1/2 / 15	800 / 130	0.50 / 13	0.86 / 22	2.66 / 68	0.85 / 22	1.76 / 45	2.08 / 53	4.33 / 110	26	0.5 / 1.1
3/4 / 20	800 / 130	0.75 / 19	1.07 / 27	2.97 / 76	0.96 / 24	1.91 / 49	2.23 / 57	4.33 / 110	61	0.8 / 1.8
1 / 25	800 / 130	0.98 / 25	1.33 / 34	3.50 / 89	1.15 / 29	2.28 / 58	2.74 / 70	5.57 / 142	110	1.2 / 2.6
1 1/4 / 32	800 / 130	1.22 / 31	1.68 / 43	3.96 / 101	1.39 / 35	2.48 / 63	2.94 / 75	5.57 / 142	170	1.5 / 3.3
1 1/2 / 40	800 / 130	1.50 / 38	1.92 / 49	4.45 / 113	1.62 / 41	3.00 / 76	3.22 / 82	6.50 / 165	260	2.0 / 4.4
2 / 50	800 / 130	1.97 / 50	2.41 / 61	5.18 / 132	2.20 / 56	3.56 / 85	4.42 / 112	10.04 / 255	480	4.3 / 9.5
2 1/2 / 65	600 / 100	2.50 / 64	2.91 / 74	6.59 / 168	2.56 / 65	4.42 / 112	5.96 / 151	15.98 / 406	800	9.0 / 19.8
3 / 80	600 / 100	3.00 / 76	3.54 / 90	7.46 / 190	2.99 / 76	4.80 / 122	6.34 / 161	15.98 / 406	1150	13.0 / 28.6

NOTE: "L" DIMENSION  $\pm$  0.06 in. / 2.0 mm