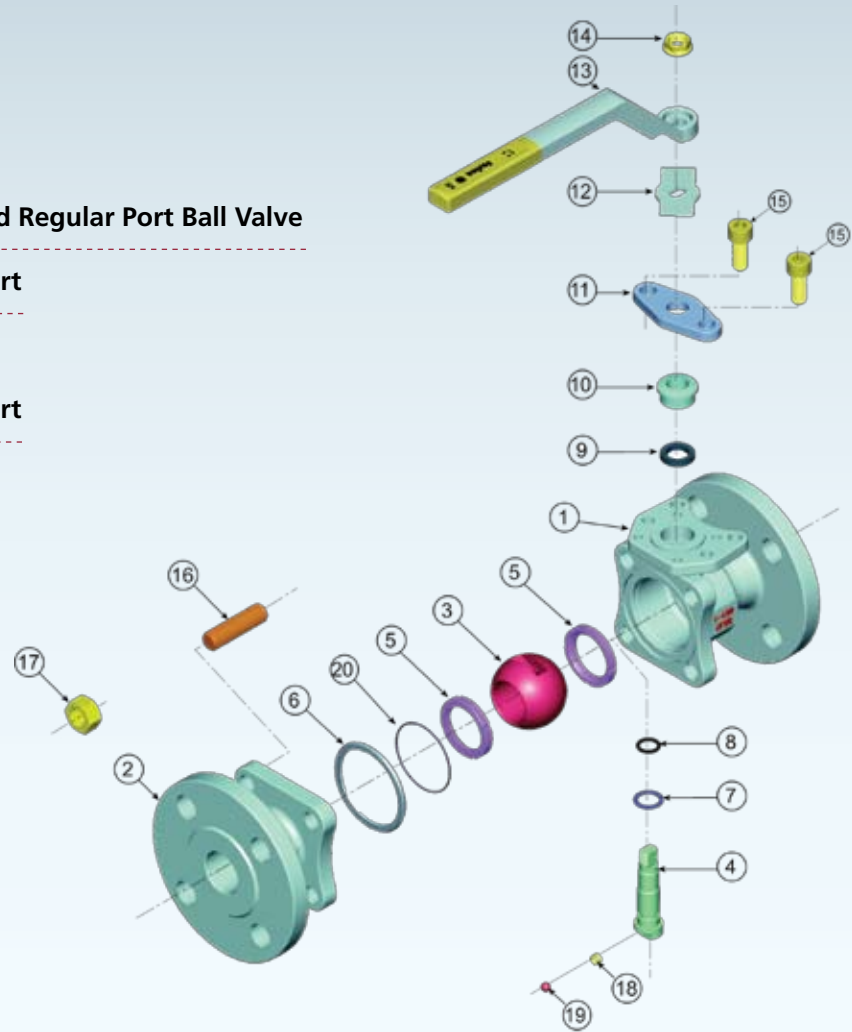


Fusion Series 324

- >> RF Flanged Two-piece Bolted Body, Full and Regular Port Ball Valve
- >> ½" – 8" sizes, ASME Class 150 - 300 Full Port
- >> ½" – 6" sizes, ASME Class 600 Full Port
- >> ¾" – 6" sizes, ASME Class 600 - Regular Port
- >> Double Seal at Stem and Body Connection
- >> Firesafe Certified to API 607 Rev. 4
- >> Standard ISO 5211 Mounting Pad
- >> API 6D Monogrammed
- >> Standard Locking Handle
- >> Standard Anti-Static Device



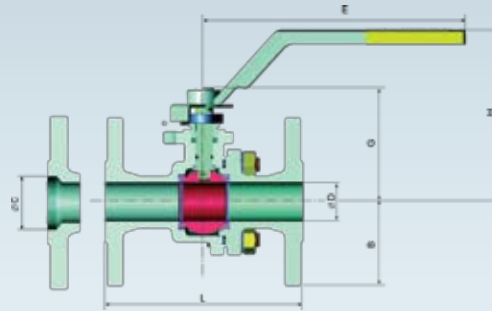
Bill of Materials

ITEM	PART	STAINLESS STEEL	SOUR LOW TEMP (NACE)	SOUR (NACE)	Q'TY
1	BODY	ASTM A351 CF8M (316SS)	ASTM A352 LCC (CS)	ASTM A216 WCB (CS)	1
2	END CAP	ASTM A351 CF8M (316SS)	ASTM A352 LCC (CS)	ASTM A216 WCB (CS)	1
3	BALL	ASTM A351 CF8M (316SS)	ASTM A351 CF8M (316SS)	ASTM A351 CF8M (316SS)	1
4	STEM	ASTM A479 316SS	ASTM A479 316SS	ASTM A479 316SS	1
☆ 5	SEAT	PTFE / RTFE / RTFM	PTFE / RTFE / RTFM	PTFE / RTFE / RTFM	2
☆ 6	SPIRAL WOUND GASKET	316 + GRAPHITE	316 + GRAPHITE	316 + GRAPHITE	1
☆ 7	THRUST WASHER	RTFE / RTFM	RTFE / RTFM	RTFE / RTFM	1
☆ 8	STEM O-RING	VITON / HNBR	VITON / HNBR	VITON / HNBR	1
☆ 9	PACKING	GRAPHITE	GRAPHITE	GRAPHITE	1
10	GLAND	304SS	A108	A108	1
11	GLAND FLANGE	ASTM A351 CF8 (304SS)	CS	CS	1
12	STOPPER	304SS	CS	CS	1
13	HANDLE	ASTM A351 CF8 (304SS)	CS	CS	1
14	HANDLE NUT / BOLT	304SS	CS	CS	1
15	CAP SCREWS	ASTM A193 B8M	ASTM A320 L7M	ASTM A193 B7M	2
16	STUD	ASTM A193 B8M	ASTM A320 L7M	ASTM A193 B7M	4~12
17	NUT	ASTM A194 8M	ASTM A194 7M	ASTM A194 2HM	4~12
18	SPRING	304SS	304SS	304SS	1
19	ANTISTATIC BALL	304SS	304SS	304SS	1
☆ 20	BODY O-RING	VITON / HNBR	VITON / HNBR	VITON / HNBR	1

Note: ☆ Minor repair kit;



Fusion Series 324



Weights and Dimensions

Full Port Dimensions

SIZE In / DN	CLASS / PN	D		L		B		G		H		E		Cv gal / min	WEIGHT Kg / Lbs
		In / mm	mm	In / mm	mm	In / mm	mm	In / mm	mm	In / mm	mm				
1/2 / 15	150 / 20	0.50 / 13	13	4.25 / 108	108	1.75 / 45	45	1.86 / 47	47	3.69 / 94	94	6.30 / 160	160	26	1.7 / 3.7
	300 / 50	0.50 / 13	13	5.50 / 140	140	1.88 / 48	48	1.86 / 47	47	3.69 / 94	94	6.30 / 160	160	26	2.3 / 5.1
	600 / 100	0.50 / 13	13	6.50 / 165	165	1.88 / 48	48	1.86 / 47	47	3.69 / 94	94	6.30 / 160	160	26	3.0 / 6.6
3/4 / 20	150 / 20	0.75 / 19	19	4.62 / 117	117	1.94 / 49	49	2.22 / 57	57	3.98 / 101	101	6.30 / 160	160	61	2.3 / 5.1
	300 / 50	0.75 / 19	19	6.00 / 152	152	2.31 / 59	59	2.22 / 57	57	3.98 / 101	101	6.30 / 160	160	61	3.6 / 7.9
	600 / 100	0.75 / 19	19	7.50 / 190	190	2.31 / 59	59	2.22 / 57	57	3.98 / 101	101	6.30 / 160	160	61	5.0 / 11.0
1 / 25	150 / 20	1.25 / 32	32	5.00 / 127	127	2.13 / 54	54	2.88 / 73	73	4.45 / 113	113	7.09 / 180	180	110	3.3 / 7.3
	300 / 50	1.25 / 32	32	6.50 / 165	165	2.44 / 62	62	2.88 / 73	73	4.45 / 113	113	7.09 / 180	180	110	4.8 / 10.6
	600 / 100	1.25 / 32	32	8.50 / 216	216	2.44 / 62	62	2.88 / 73	73	4.45 / 113	113	7.09 / 180	180	110	6.5 / 14.3
1 1/2 / 40	150 / 20	1.50 / 38	38	6.50 / 165	165	2.50 / 64	64	3.57 / 91	91	4.78 / 121	121	11.02 / 280	280	260	7.0 / 15.4
	300 / 50	1.50 / 38	38	7.50 / 190	190	3.06 / 78	78	3.57 / 91	91	4.78 / 121	121	11.02 / 280	280	260	11.0 / 24.2
	600 / 100	1.50 / 38	38	9.50 / 241	241	3.06 / 78	78	3.57 / 91	91	4.78 / 121	121	11.02 / 280	280	260	14.0 / 30.8
2 / 50	150 / 20	2.00 / 50	50	7.00 / 178	178	3.01 / 77	77	3.92 / 100	100	5.12 / 130	130	11.02 / 280	280	480	9.1 / 20.0
	300 / 50	2.00 / 50	50	8.50 / 216	216	3.25 / 83	83	3.92 / 100	100	5.12 / 130	130	11.02 / 280	280	480	11.9 / 26.2
	600 / 100	2.00 / 50	50	11.50 / 292	292	3.25 / 83	83	3.92 / 100	100	5.12 / 130	130	11.02 / 280	280	480	16.0 / 35.2
2 1/2 / 65	150 / 20	2.50 / 64	64	7.50 / 190	190	3.50 / 89	89	4.80 / 122	122	5.83 / 148	148	14.17 / 360	360	800	13.0 / 28.6
	300 / 50	2.50 / 64	64	9.50 / 241	241	3.75 / 95	95	4.80 / 122	122	5.83 / 148	148	14.17 / 360	360	800	18.0 / 39.6
	600 / 100	2.50 / 64	64	13.00 / 330	330	3.75 / 95	95	5.18 / 132	132	6.59 / 168	168	14.17 / 360	360	800	28.0 / 61.6
3 / 80	150 / 20	3.00 / 76	76	8.00 / 203	203	3.75 / 95	95	5.20 / 132	132	6.22 / 158	158	14.17 / 360	360	1150	17.5 / 38.5
	300 / 50	3.00 / 76	76	11.12 / 282	282	4.13 / 105	105	5.20 / 132	132	6.22 / 158	158	14.17 / 360	360	1150	28.0 / 61.6
	600 / 100	3.00 / 76	76	14.00 / 356	356	4.13 / 105	105	5.56 / 141	141	6.98 / 177	177	14.17 / 360	360	1150	36.0 / 79.2
4 / 100	150 / 20	3.94 / 100	100	9.00 / 229	229	4.50 / 115	115	7.07 / 180	180	7.87 / 200	200	17.72 / 450	450	2110	36.0 / 79.2
	300 / 50	3.94 / 100	100	12.00 / 305	305	5.00 / 127	127	7.07 / 180	180	7.87 / 200	200	17.72 / 450	450	2110	50.0 / 110.0
	600 / 100	3.94 / 100	100	17.00 / 432	432	5.38 / 137	137	7.46 / 190	190	8.38 / 213	213	17.72 / 450	450	2110	73.5 / 161.7
6 / 150	150 / 20	5.91 / 150	150	15.50 / 394	394	5.50 / 140	140	8.60 / 219	219	9.41 / 239	239	39.37 / 1000	1000	5070	52.0 / 114.4
	300 / 50	5.91 / 150	150	15.88 / 403	403	6.25 / 159	159	8.60 / 219	219	9.41 / 239	239	39.37 / 1000	1000	5070	85.0 / 187.0
	600 / 100	5.91 / 150	150	22.00 / 559	559	7.00 / 178	178	9.00 / 229	229	9.92 / 252	252	39.37 / 1000	1000	5070	120.0 / 264.0

NOTE:

- "L" DIMENSION ± 0.06 in. / 2.0 mm
- The End-to-End dimensions of Series324 are in long-pattern per ASME B16.10 where it is applicable

Weights and Dimensions

SIZE In / DN	CLASS / PN	D		C		L		B		G		H		E		Cv gal / min	WEIGHT Kg / Lbs
		In / mm	mm	In / mm	mm	In / mm	mm	In / mm	mm	In / mm	mm	In / mm	mm				
3/4 / 20	600 / 100	0.50 / 13	13	0.75 / 19	19	7.50 / 190	190	2.31 / 59	59	1.78 / 45	45	3.69 / 94	94	6.30 / 160	160	10	4.5 / 9.9
1 / 25	600 / 100	0.75 / 19	19	1.00 / 25	25	8.50 / 216	216	2.44 / 62	62	2.07 / 53	53	4.06 / 103	103	6.30 / 160	160	27	6.0 / 13.2
1 1/2 / 40	600 / 100	1.25 / 32	32	1.50 / 38	38	9.50 / 241	241	3.06 / 78	78	2.88 / 73	73	4.45 / 113	113	7.09 / 180	180	96	9.5 / 20.9
2 / 50	600 / 100	1.50 / 38	38	2.00 / 50	50	11.50 / 292	292	3.25 / 83	83	3.57 / 91	91	4.78 / 121	121	11.02 / 280	280	110	13.5 / 29.7
2 1/2 / 65	600 / 100	2.00 / 50	50	2.50 / 64	64	13.00 / 330	330	3.75 / 95	95	3.92 / 100	100	5.12 / 130	130	11.02 / 280	280	220	22.0 / 48.4
3 / 80	600 / 100	2.50 / 64	64	3.00 / 76	76	14.00 / 356	356	4.13 / 105	105	5.20 / 132	132	6.59 / 168	168	14.17 / 360	360	390	32.0 / 70.4
4 / 100	600 / 100	3.00 / 76	76	4.00 / 102	102	17.00 / 432	432	5.38 / 137	137	5.56 / 141	141	6.98 / 177	177	14.17 / 360	360	450	54.0 / 118.8
6 / 150	600 / 100	3.94 / 100	100	5.91 / 150	150	22.00 / 559	559	7.00 / 178	178	7.46 / 190	190	8.39 / 213	213	17.72 / 450	450	640	95.0 / 209

NOTE:

- "L" DIMENSION ± 0.06 in. / 2.0 mm
- The End-to-End dimensions of Series324 are in long-pattern per ASME B16.10 where it is applicable