

# Fusion Series 332

>> Threaded and Socketweld Full Port Three-Piece/4-bolt Ball Valve

>> 1/4" – 2" sizes, Class 800

>> 2 1/2" – 3" sizes, Class 600

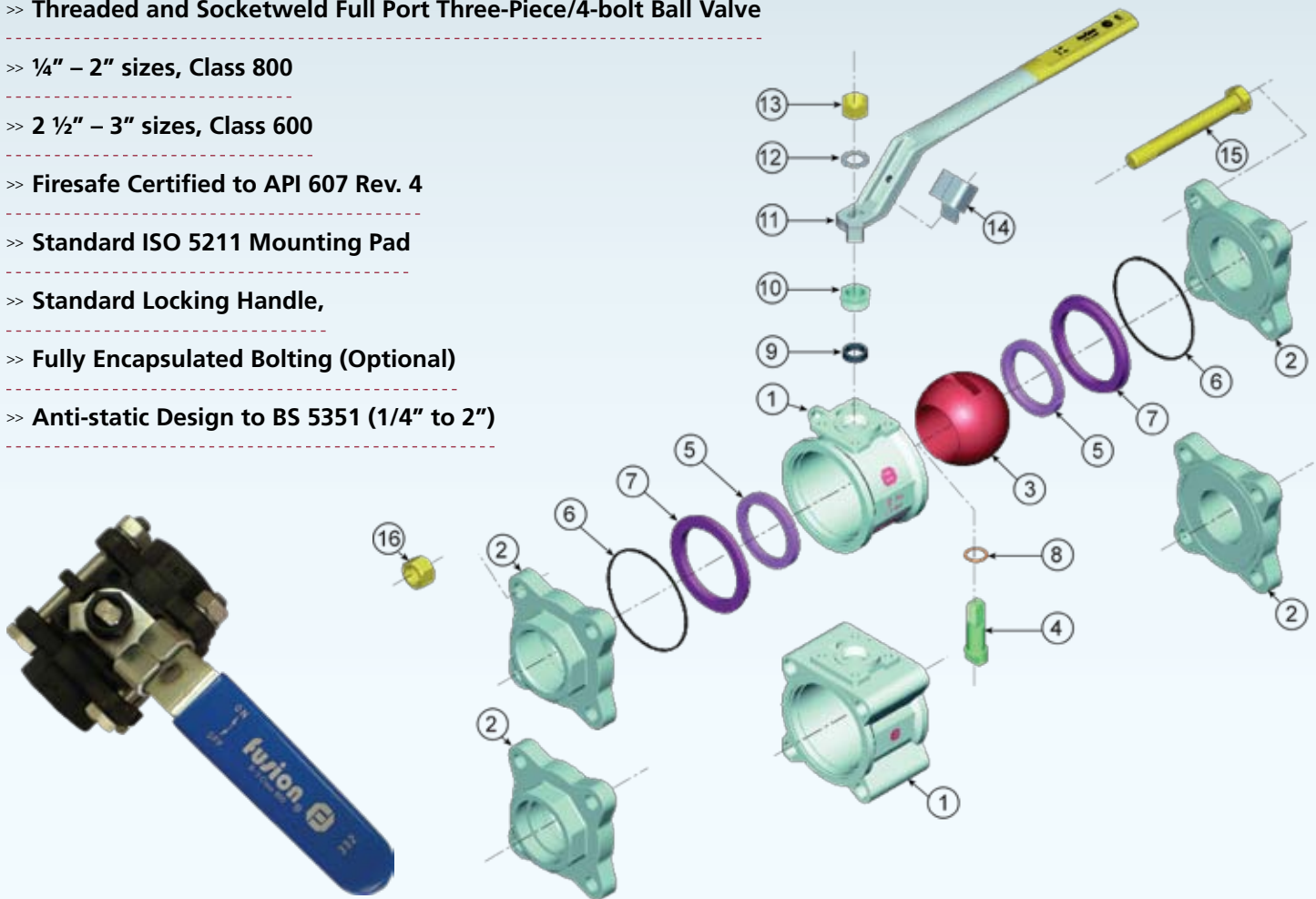
>> Firesafe Certified to API 607 Rev. 4

>> Standard ISO 5211 Mounting Pad

>> Standard Locking Handle,

>> Fully Encapsulated Bolting (Optional)

>> Anti-static Design to BS 5351 (1/4" to 2")



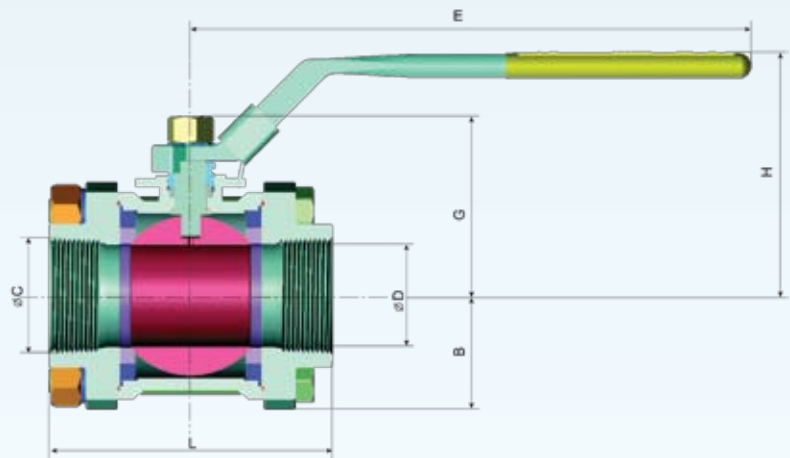
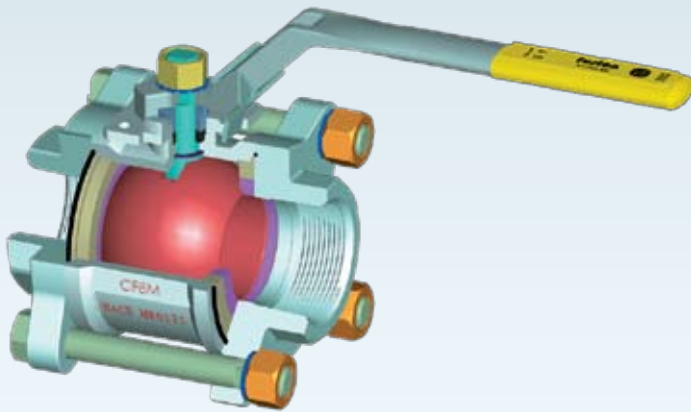
## Bill of Materials

ITEM	PART	STAINLESS STEEL	SOUR LOW TEMP (NACE)	SOUR (NACE)	QTY
1	BODY	ASTM A351 CF8M (316SS)	ASTM A352 LCC (CS)	ASTM A216 WCB (CS)	1
2	END CAP	ASTM A351 CF8M (316SS)	ASTM A352 LCC (CS)	ASTM A216 WCB (CS)	2
3	BALL	ASTM A351 CF8M (316SS)	ASTM A351 CF8M (316SS)	ASTM A351 CF8M (316SS)	1
4	STEM	ASTM A479 316SS	ASTM A479 316SS	ASTM A479 316SS	1
☆ 5	SEAT	RTFE	RTFE	RTFE	2
☆ 6	GASKET	GRAPHITE	GRAPHITE	GRAPHITE	2
☆ 7	SMALL GASKET	PTFE	PTFE	PTFE	2
☆ 8	THRUST WASHER	RTFE	RTFE	RTFE	1
☆ 9	PACKING	GRAPHITE	GRAPHITE	GRAPHITE	1
10	GLAND RETAINER NUT	304SS	304SS	304SS	1
11	HANDLE	304SS	CS PLATED	CS PLATED	1
12	STEM WASHER	304SS	CS	CS	1
13	HANDLE NUT	304SS	CS	CS	1
14	LOCKING DEVICE	304SS	CS PLATED	CS PLATED	1
◇ 15	BOLT	ASTM A193 B8M	ASTM A320 L7M	ASTM A193 B7M	4~6
16	NUT	ASTM A194 8M	ASTM A194 7M	ASTM A194 2HM	4~12

Note: ☆ Minor repair kit; ◇ Item 15: stud on 2 1/2" and 3"



# Fusion Series 332



## Weights and Dimensions

SIZE In / DN	CLASS / PN	BORE	D		C		L		B		G		H		E		Cv gal / min	WEIGHT Kg / Lbs	
			In / mm	In / mm	In / mm	In / mm	In / mm	In / mm	In / mm	In / mm	In / mm	In / mm	In / mm	In / mm					
1/4 / 8	800 / 130	FP	0.36 / 9	0.56 / 14	2.28 / 58	0.78 / 20	1.23 / 31	1.86 / 47	3.82 / 97	12	0.4 / 0.9								
3/8 / 10	800 / 130	FP	0.36 / 9	0.69 / 18	2.28 / 58	0.78 / 20	1.23 / 31	1.86 / 47	3.82 / 97	13	0.4 / 0.9								
1/2 / 15	800 / 130	FP	0.50 / 13	0.86 / 22	2.87 / 73	1.05 / 27	1.84 / 47	2.44 / 62	4.92 / 125	26	0.8 / 1.8								
3/4 / 20	800 / 130	FP	0.75 / 19	1.07 / 27	3.03 / 77	1.14 / 29	1.99 / 51	2.58 / 66	4.92 / 125	61	1.0 / 2.2								
1 / 25	800 / 130	FP	0.98 / 25	1.33 / 34	3.72 / 95	1.37 / 35	2.48 / 63	2.93 / 75	6.10 / 155	110	1.7 / 3.7								
1 1/4 / 32	800 / 130	FP	1.25 / 32	1.68 / 43	4.25 / 108	1.64 / 42	2.68 / 68	3.13 / 80	6.10 / 155	170	2.7 / 5.9								
1 1/2 / 40	800 / 130	FP	1.50 / 38	1.92 / 49	4.80 / 122	1.91 / 49	3.24 / 82	3.42 / 87	6.69 / 170	260	3.5 / 7.7								
2 / 50	800 / 130	FP	1.97 / 50	2.41 / 61	5.82 / 148	2.28 / 58	3.57 / 91	4.62 / 117	10.04 / 255	480	6.8 / 15.0								
	800 / 130	RP	1.50 / 38	2.41 / 61	5.82 / 148	2.13 / 54	3.24 / 82	3.42 / 87	6.69 / 170	100	5.6 / 12.3								
2 1/2 / 65	600 / 100	FP	2.50 / 64	2.91 / 74	7.00 / 178	2.80 / 71	4.42 / 112	5.96 / 151	15.98 / 406	800	14.0 / 30.8								
3 / 80	600 / 100	FP	3.00 / 76	3.54 / 90	7.57 / 192	3.10 / 79	5.30 / 135	6.83 / 174	15.98 / 406	1150	19.0 / 41.8								

NOTE: "L" DIMENSION ± 0.06 in. / 2.0 mm