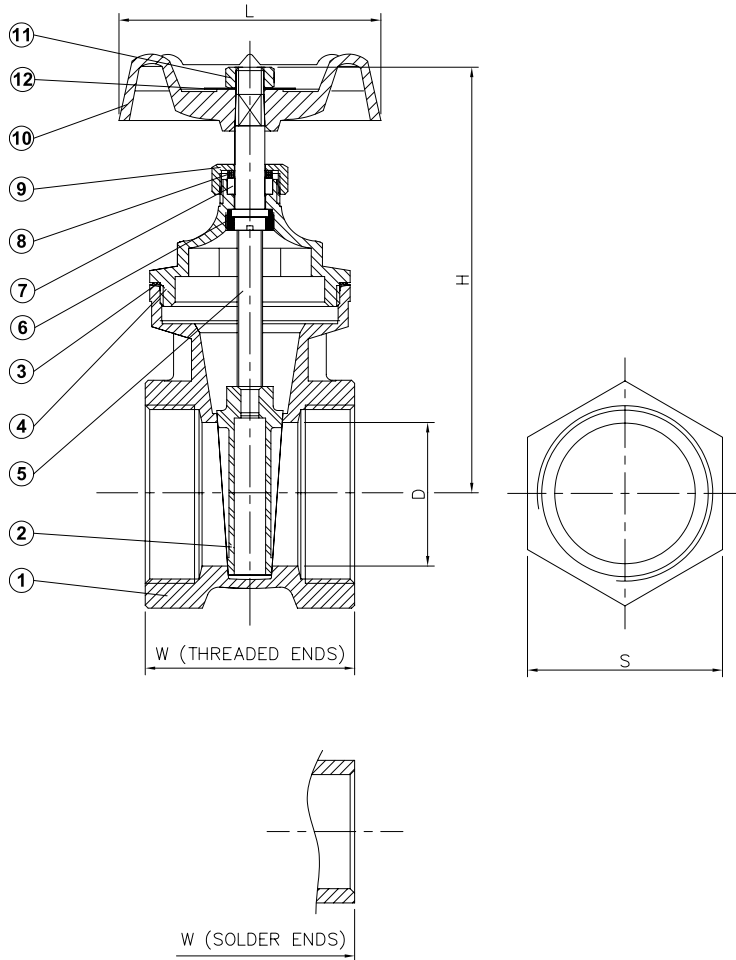


CAST BRASS GATE VALVES



SERIES 150

NON-RISING STEM, WEDGE DISC, SCREWED BONNET, THREADED ENDS(SIZES: 1/2"~4") & SOLDER ENDS(SIZES:1/2"~2"), 200 WOG.



MATERIALS LIST:

NO.	PART	SPECIFICATION
1	BODY	CAST BRASS / FORGED BRASS
2	DISC	CAST BRASS / FORGED BRASS
3	GASKET	PTFE
4	BONNET	CAST BRASS / FORGED BRASS
5	STEM	COPPER ALLOY
6	STOP RING	COPPER ALLOY
7	PACKING	PTFE
8	GLAND	COPPER ALLOY
9	PACKING NUT	COPPER ALLOY
10	HANDWHEEL	CAST IRON
11	NUT	STEEL
12	NAME PLATE	ALUMINUM

150-TF



DIMENSIONS:

SIZE		D		W				H		L		S	
				THREADED ENDS		SOLDER ENDS							
IN	MM	IN	MM	IN	MM	IN	MM	IN	MM	IN	MM	IN	MM
1/2"	15	0.51	13	1.69	43	1.73	44	2.76	70	2.13	54	1.06	27
3/4"	20	0.75	19	1.85	47	2.28	58	2.95	75	2.13	54	1.22	31
1"	25	0.94	24	2.09	53	2.76	70	3.27	83	2.32	59	1.50	38
1-1/4"	32	1.22	31	2.36	60	3.07	78	3.98	101	2.80	71	1.85	47
1-1/2"	40	1.46	37	2.44	62	3.31	84	4.49	114	2.80	71	2.09	53
2"	50	1.89	48	2.76	70	4.09	104	5.51	140	3.07	78	2.60	66
2-1/2"	65	2.48	63	3.39	86	-	-	7.05	179	3.94	100	3.31	84
3"	80	2.95	75	3.78	96	-	-	8.07	205	4.25	108	3.86	98
4"	100	3.80	96.5	4.57	116	-	-	9.49	241	4.92	125	4.96	126

DUE TO CONTINUOUS DEVELOPMENT OF OUR PRODUCTS,WE RESERVE THE RIGHT TO MODIFY OUR PRODUCT DESIGN OR CONSTRUCTION WITHOUT PRIOR NOTICE.