

- ① Long thread stem nut to provide long thread life and permit the removal of hand wheel even at full open.
- ② Spacer ring and single packing set for class 300 and above while only single packing set for class 150. Double packings can be provided on customer's requirement.
- ③ Corrugated steel gasket for 150lb valves, spiral wound gasket for 300lb & 600lb valves, and ring joint for 900lb & above valves or as a optional for the 600lb valves on customer request.
- ④ Integral guide rig inside body to assure self-centering of wedge during open or closing.
- ⑤ Flexible wedge to compensate for seat face distortion and body deformation due to pipe stress.
- ⑥ Anti blow-out stem design with collar.
- ⑦ Stem & wedge connection stronger than the thread area of stem.
- ⑧ Renewable seal welded seats with satellite 6 are standard design while screwed-in seats are optional.

Part	Standard	Low Temperature Service	Stainless Steel	High Temperature Service	Sour Service
BODY	ASTM A216-WCB	ASTM A352-LCC	ASTM A351-CF8M	ASTM A217-WC9	ASTM A216-WCB
BONNET	ASTM A216-WCB	ASTM A352-LCC	ASTM A351-CF8M	ASTM A217-WC9	ASTM A216-WCB
WEDGE	ASTM A216-WCB/CR13 OVERLAY ASTM A217-CA15(10"&Smaller)	ASTM A352-LCC/316 OVERLAY	ASTM A351-CF8M	ASTM A217-WC9/STL. OVERLAY	ASTM A216-WCB/CR13 OVERLAY-NC ASTM A217-CA15(10"&Smaller)-NC
STEM NUT	ASTM A439 D-2	ASTM A439 D-2	ASTM A439 D-2	ASTM A439 D-2	ASTM A439 D-2
GLAND FLANGE	ASTM A216-WCB	ASTM A352-LCB	ASTM A351-CF8	ASTM A216-WCB	ASTM A216-WCB
HANDWHEEL	DUCTILE IRON	DUCTILE IRON	DUCTILE IRON	DUCTILE IRON	DUCTILE IRON
SEAT RING	ASTM A105/STL. OVERLAY	ASTM A182-F316/STL. OVERLAY	ASTM A182-F316/STL. OVERLAY	ASTM A182-F22/STL. OVERLAY	ASTM A105/STL. OVERLAY
STEM	ASTM A182-F6a	ASTM A182-F316	ASTM A182-F316	ASTM A182-F6a	ASTM A182-F6a-NC
BACK SEAT	ASTM A276-420	ASTM A276-316	ASTM A276-316	ASTM A276-420	ASTM A276-420-NC
GLAND	ASTM A276-420	STAINLESS STEEL	ASTM A276-316	ASTM A276-420	ASTM A276-420-NC
GASKET	SPIRAL WOUND GRAPHITE	SPIRAL WOUND GRAPHITE	SPIRAL WOUND GRAPHITE	SPIRAL WOUND GRAPHITE	SPIRAL WOUND GRAPHITE
MIDDLE PACKING	GRAPHITE	GRAPHITE	GRAPHITE	GRAPHITE	GRAPHITE
TOP/BOTTOM PACKING	316+GRAPHITE	316+GRAPHITE	316+GRAPHITE	316+GRAPHITE	316+GRAPHITE
RETAINING NUT	CARBON STEEL	CARBON STEEL	STAINLESS STEEL	CARBON STEEL	CARBON STEEL
HANDWHEEL NUT	CARBON STEEL	CARBON STEEL	STAINLESS STEEL	CARBON STEEL	CARBON STEEL
BONNET STUD	ASTM A193-B7	ASTM A320-L7M	ASTM A193-B8	ASTM A193-B16	ASTM A193-B7M
BONNET NUT	ASTM A194-2H	ASTM A194-7M	ASTM A194-8	ASTM A194-4	ASTM A194-2HM
EYE BOLT	ASTM A193-B7	ASTM A320-L7M	ASTM A193-B8	ASTM A193-B16	ASTM A193-B7M
GLAND NUT	ASTM A194-2H	ASTM A194-7M	ASTM A194-8	ASTM A194-4	ASTM A194-2HM
GREASE FITTING	CARBON STEEL	CARBON STEEL	STAINLESS STEEL	CARBON STEEL	CARBON STEEL
EYE BOLT PIN	CARBON STEEL	STAINLESS STEEL	STAINLESS STEEL	STAINLESS STEEL	CARBON STEEL
RIVET	CARBON STEEL	CARBON STEEL	STAINLESS STEEL	CARBON STEEL	CARBON STEEL
NAME PLATE	STAINLESS STEEL	STAINLESS STEEL	STAINLESS STEEL	STAINLESS STEEL	STAINLESS STEEL

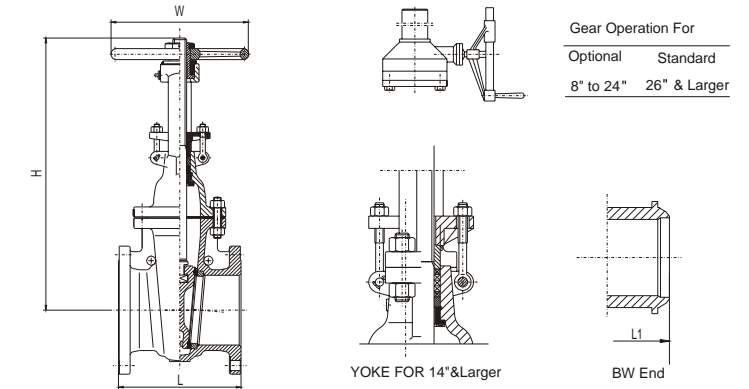
Notes: Above materials are general, when ordered, Please contact NEWAY Sales or technical team to confirm the details.

Class 150 Cast Carbon Steel Gate Valve

API 600 Design,
Bolted Bonnet, OS&Y,
Screwed-in Back seat, Rising Stem,
Non-rising Handwheel,
Flexible Wedge

Figure NO.:

G1R,WCB/NO.8
G1B,WCB/NO.8



NPS	in	2"	2-1/2"	3"	4"	5"	6"	8"	10"	12"	14"	16"	18"	20"	24"	26"	28"	30"	32"	36"	40"	42"	48"
DN	mm	50	65	80	100	125	150	200	250	300	350	400	450	500	600	650	700	750	800	900	1000	1050	1200
L(RF)	in	7	7.5	8	9	10	10.5	11.5	13	14	15	16	17	18	20	22	24	24	26	28	30	31	34
L(BW)	in	8.5	9.5	11.12	12	15	15.88	16.5	18	19.75	22.5	24	26	28	32	34	36	36	38	40	42	43	46
	mm	216	241	283	305	381	403	419	457	502	572	610	660	711	813	864	914	914	965	1016	1067	1092	1168
W	in	8	8	10	12	12	12	14	16	18	20	22	24	27	30	24	24	24	24	24	24	32	32
	mm	200	200	250	300	300	300	350	400	450	500	550	600	680	760	610	610	610	610	610	610	610	610
H	in	15.2	17.1	18.9	23	26.8	30.1	37.6	45.2	53.2	59.4	67	74.5	83.4	98.4	110	117	124	129	146	157	190	233
	mm	386.5	434.5	480.5	584.5	681	765	956	1149	1350.5	1508	1703	1892	2119	2500	2806	2960	3148	3281	3721	3980	4820	5920
WT(RF)	Kg	19	26	35	49	64	81	127	204	291	400	486	610	788	1144	1570	1900	2540	2958	3380	4815	5300	7110
WT(BW)	Kg	15	18	26	41	58	69	108	156	248	365	482	587	752	1178	1521	1838	2261	2490	3310	4840	5275	7050

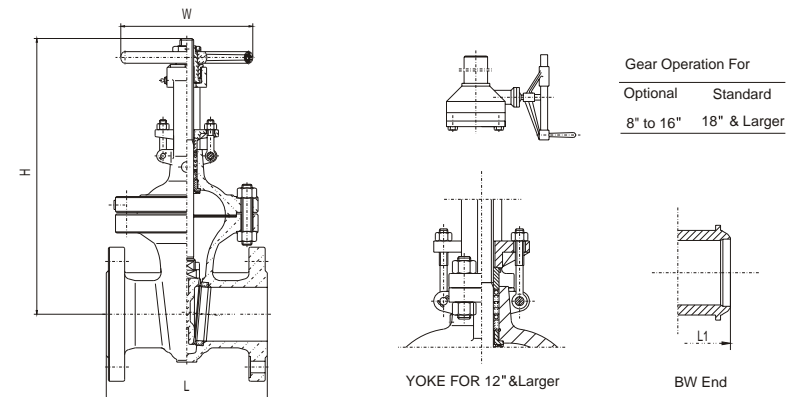
* (1) For size of larger than 48" valve, Please contact Neway sales or engineering team for details.

Class 300 Cast Carbon Steel Gate Valve

API 600 Design,
Bolted Bonnet, OS&Y,
Screwed-in Back seat, Rising Stem,
Non-rising Handwheel,
Flexible Wedge

Figure NO.:

G3R,WCB/NO.8
G3B,WCB/NO.8



NPS	in	2"	2-1/2"	3"	4"	5"	6"	8"	10"	12"	14"	16"	18"	20"	24"	26"	28"	30"	32"	36"	40"	42"	48"
DN	mm	50	65	80	100	125	150	200	250	300	350	400	450	500	600	650	700	750	800	900	1000	1050	1200
L-L1 (RF-BW)	in	8.5	9.5	11.12	12	15	15.88	16.5	18	19.75	30	33	36	39	45	49	53	55	60	68	76	78	88
	mm	216	241	283	305	381	403	419	457	502	762	838	914	991	1143	1245	1346	1397	1524	1727	1930	1981	2235
W	in	8	8	10	10	12	14	16	18	20	22	24	24	24	24	24	24	24	32	40	40	40	40
	mm	200	200	250	250	300	350	400	450	500	550	600	610	610	610	610	610	610	810	1000	1000	1000	1000
H	in	16.1	17.8	20	24.1	26.4	31.7	39.4	47.6	55.7	62.3	67.9	77.1	86.4	102.3	117.6	122.8	126.2	145.4	161.6	179	186.6	211.5
	mm	410	453	509	612	670	805	1000	1209	1416	1582	1725	1959	2194	2598	2986	3120	3205	3692	4104	4547	4739	5373
WT(RF)	Kg	26	35	52	75	102	147	235	350	472	683	950	1145	1634	2660	3090	3312	3597	4850	6850	8460	9500	12400
WT(BW)	Kg	17	26	52	74	102	113	164	344	485	565	805	1058	1412	2304	2540	2725	3057	4122	4990	6160	6800	9000

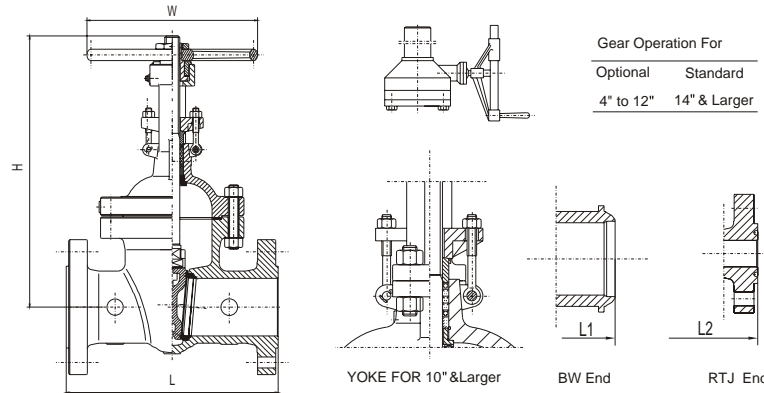
* (1) For size of larger than 48" valve, Please contact Neway sales or engineering team for details.

Class 600 Cast Carbon Steel Gate Valve

API 600 Design,
Bolted Bonnet, OS&Y,
Screwed-in Back seat, Rising Stem,
Non-rising Handwheel,
Flexible Wedge

Figure NO.:

G6R,WCB/NO.8
G6J,WCB/NO.8
G6B,WCB/NO.8



NPS	in	2"	2-1/2"	3"	4"	5"	6"	8"	10"	12"	14"	16"	18"	20"	24"	26"	28"	30"	32"	36"	40"	42"	48"
DN	mm	50	65	80	100	125	150	200	250	300	350	400	450	500	600	650	700	750	800	900	1000	1050	1200
L-L1 (RF-BW)	in	11.5	13	14	17	20	22	26	31	33	35	39	43	47	55	57	61	65	70	82	90	96	100
	mm	292	330	356	432	508	559	660	787	838	889	991	1092	1194	1397	1448	1549	1651	1778	2082	2286	2438	2540
L2(RTJ)	in	11.62	13.12	14.12	17.12	20.12	22.12	26.12	31.12	33.12	35.12	39.12	43.12	47.25	55.38	57.5	61.5	65.5	70.6	82.6	-	-	-
	mm	295	333	359	435	511	562	663	790	841	892	994	1095	1200	1407	1461	1562	1664	1794	2098	-	-	-
W	in	8	10	10	12	16	18	20	24	27	24	24	24	24	24	32	40	40	40	42	42	42	42
	mm	200	250	250	300	400	450	500	600	680	610	610	610	610	610	810	1000	1000	1000	1000	1200	1200	1200
H	in	16.5	18.7	20.4	25.4	30.3	33	40.3	48.4	57.1	62	70.7	76.02	86.9	102	124	133	140	150	168	184	194	231
	mm	418	476	518	646	770	839	1024	1229	1450	1574	1797	1931	2207	2582	3150	3362	3549	3811	4260	4670	4921	5876
WT(RF)	Kg	39	52	68	120	170	273	402	610	902	1245	1530	2030	2735	3620	5220	6050	6945	8312	10000	14300	16460	22900
WT(BW)	Kg	28	42	55	84	125	204	337	548	905	974	1345	1730	2415	3017	4295	4980	5710	6834	8220	11755	13530	18824

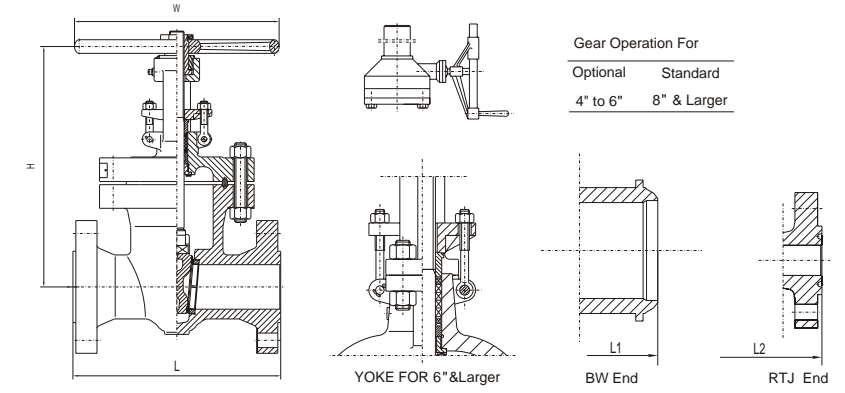
* (1) For size of larger than 48" valve, Please contact Neway sales or engineering team for details.

Class 1500 Cast Carbon Steel Gate Valve

API 600 Design,
Bolted Bonnet, OS&Y,
Screwed-in Back seat, Rising Stem,
Non-rising Handwheel,
Flexible Wedge

Figure NO.:

G15R,WCB/NO.5
G15J,WCB/NO.5
G15B,WCB/NO.5



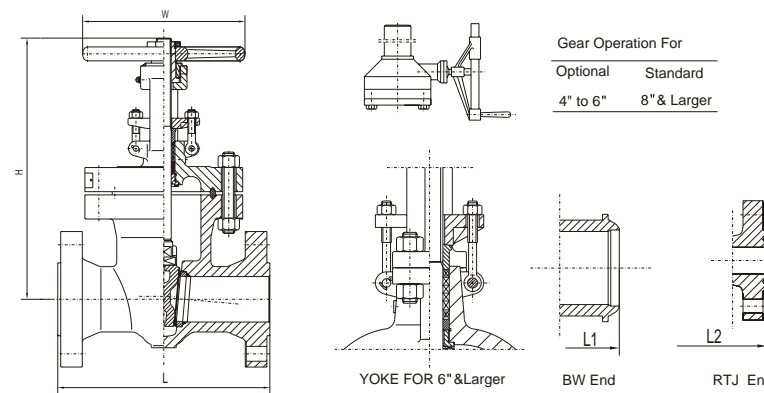
NPS	in	2"	2-1/2"	3"	4"	6"	8"	10"	12"	14"	16"	18"	20"	24"	26"	28"	30"
DN	mm	50	65	80	100	150	200	250	300	350	400	450	500	600	650	700	750
L-L1 (RF-BW)	in	14.5	16.5	18.5	21.5	27.75	32.75	39	44.5	49.5	54.5	60.5	65.5	76.5	82	87.5	93
	mm	368	419	470	546	705	832	991	1130	1257	1384	1537	1664	1943	2083	2222.5	2362
L2(RTJ)	in	14.62	16.62	18.62	21.62	28.00	33.13	39.38	45.12	50.25	55.38	61.4	66.4	77.6	-	-	-
	mm	371	422	473	549	711	842	1000	1146	1276	1407	1559	1686	1972	-	-	-
W	in	10	12	14	20	24	18	18	24	24	24	40	40	40	47	47	47
	mm	250	300	350	500	600	458	458	610	610	610	1000	1000	1000	1200	1200	1200
H	in	19.2	22.5	23.7	27.6	38.7	45.1	54	64.3	70.8	77.3	111	121	140.5	151	158	172
	mm	487	572	603	700	984	1146	1371	1633	1798	1963	2812	3078	3570	3836	4012	4368
WT(RF)	Kg	74	131	165	248	510	1040	1910	2685	4100	6200	8100	11130	13300	16500	18700	20900
WT(BW)	Kg	54	105	129	197	358	761	1640	2755	3200	5300	7100	10100	12900	15700	17500	19300

Class 900 Cast Carbon Steel Gate Valve

API 600 Design,
Bolted Bonnet, OS&Y,
Screwed-in Back seat, Rising Stem,
Non-rising Handwheel,
Flexible Wedge

Figure NO.:

G9R,WCB/NO.5
G9J,WCB/NO.5
G9B,WCB/NO.5



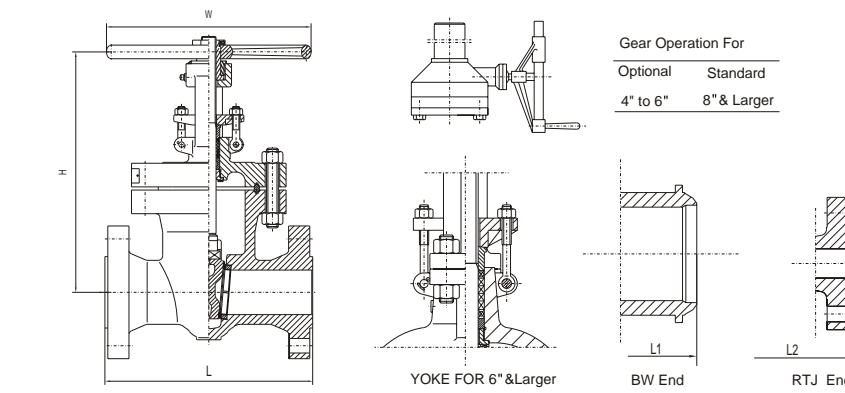
NPS	in	2"	2-1/2"	3"	4"	6"	8"	10"	12"	14"	16"	18"	20"	24"	26"	28"	30"	32"	36"
DN	mm	50	65	80	100	150	200	250	300	350	400	450	500	600	650	700	750	800	900
L-L1 (RF-BW)	in	14.5	16.5	15	18	24	29	33	38	40.5	44.5	48	52	61	65	70	74	78	87
	mm	368	419	381	457	610	737	838	965	1029	1130	1219	1321	1549	1664	1778	1892	2004	2232
L2(RTJ)	in	14.62	16.62	15.12	18.12	24.12	29.12	33.12	38.12	40.88	44.88	48.50	52.48	61.73	-	-	-	-	-
	mm	371	422	384	460	613	740	841	968	1038	1140	1232	1333	1568	-	-	-	-	-
W	in	10	10	12	14	20	24	24	24	24	24	32	40	40	40	40	47	47	47
	mm	250	250	300	350	500	600	610	610	610	610	810	1000	1000	1000	1000	1200	1200	1200
H	in	19.6	21.5	22.6	26.7	35.4	43.4	53	59.8	74.9	80.7	87	95	108.4	111.5	114.8	118	121.4	128
	mm	498	547	573	678	900	1103	1345	1520	1902	2051	2212	2417	2750	2833	2916	3000	3083	3250
WT(RF)	Kg	74	92	101	172	335	640	1100	1360	2250	2850	3870	4860	6100	7300	7600	9800	11950	15000
WT(BW)	Kg	54	65	70	110	258	498	810	1228	2009	2563	3300	4050	6120	5500	6900	9000	11000	13500

Class 2500 Cast Carbon Steel Gate Valve

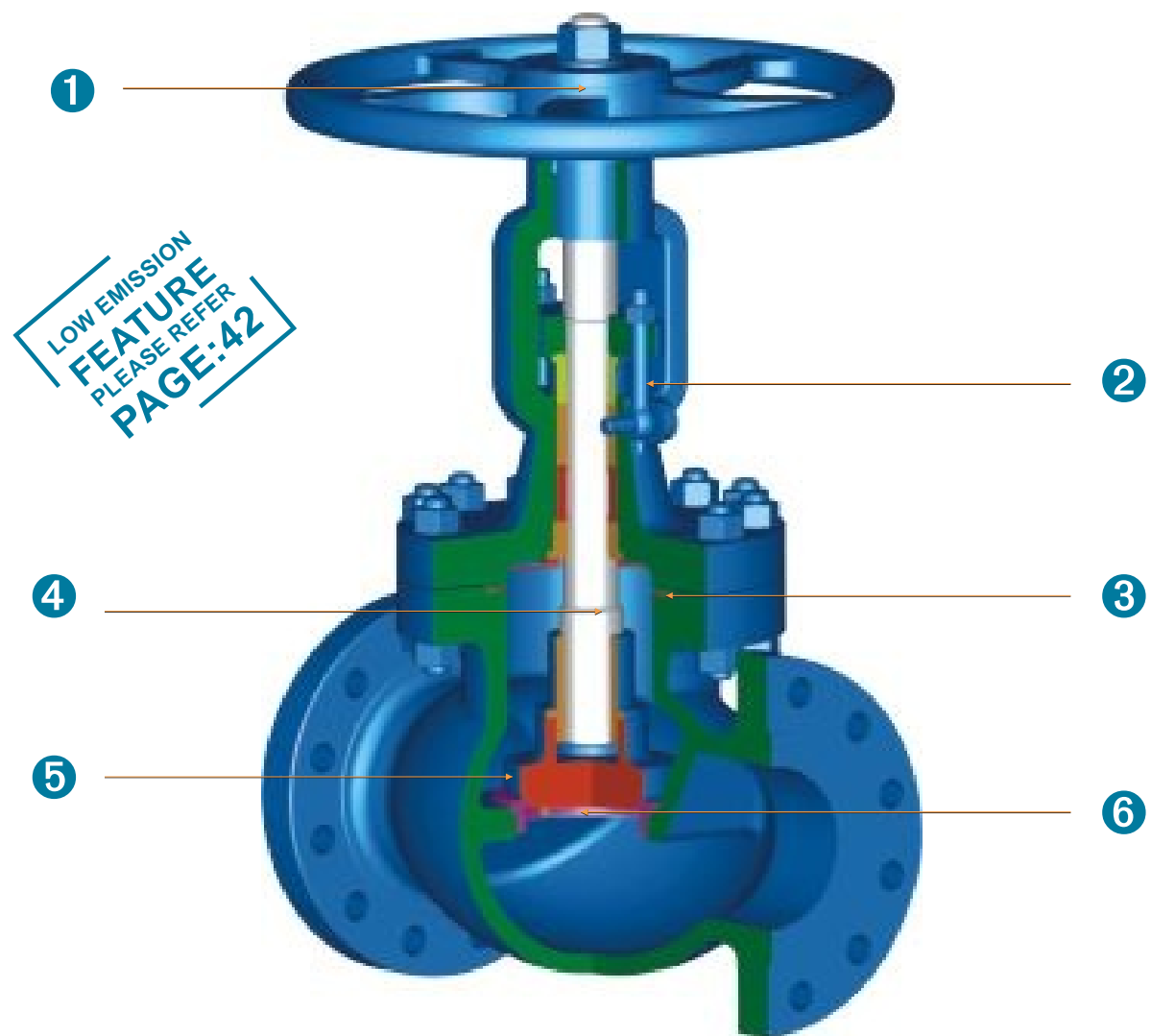
API 600 Design,
Bolted Bonnet OS&Y,Rising Stem,
Non-rising Handwheel,
Flexible Wedge

Figure NO.:

G25R,WCB/NO.5
G25J,WCB/NO.5
G25B,WCB/NO.5



NPS	in	2"	2-1/2"	3"	4"	6"	8"	10"	12"	14"	16"	18"	20"	24"
DN	mm	50	65	80	100	150	200	250	300	350	400	450	500	600
L-L1 (RF-BW)	in	17.75	20	22.75	26.5	36	40.25	50	56	62	68	74	80	92
	mm	451	508	578	673	914	1022	1270	1422	1575	1727	1879	2031	2335
L2(RTJ)	in	17.88	20.25	23.00	26.88	36.50	40.88	50.88	56.88	-	-	-	-	-
	mm	454	514	584	683	927	1038	1292	1445	-	-	-	-	-
W	in	14	18	18	20	24	24	24	24	32	32	40	40	40
	mm	350	450	450	500	610	610	610	610	810	810	1000	1000	1000
H	in	22.2	22.2	22.9	34.3	57.1	63.4	81.7	89.8	319.7	400	100.6	112.6	136.6
	mm	563	563	582	870	1450	1610	2076	2281	1945	2250	2555	2860	3470
WT(RF)	Kg	130	200	245	490	1600	2450	4570	6100	8120	10170	12100	14700	16500
WT(BW)	Kg	95	150	175	375	1310	2010	3800	5200	7510	9730	10900	12100	14700



- 1 Impact handwheel supplied by manufacturer's option or on customer request.
- 2 Gland eyebolts are mounted to swing aside to facilitate packing maintenance.
- 3 Male and female bonnet joints for 150lb to 600lb valves, and ring joint for the 900lb & above valves or as an optional for 600lb valves on customer request.
- 4 Anti blow-out stem design with conical backseat surface to permit repacking of valve in the fully open position.
- 5 Plug seat surface is standard disc design as well as spherical and flat seating surface is optional on customer request.
- 6 Seat face with satellite 6 is standard design.

Part	Standard	Low Temperature Service	Stainless Steel	High Temperature Service	Sour Service
BODY	ASTM A216-WCB	ASTM A352-LCC	ASTM A351-CF8M	ASTM A217-WC9	ASTM A216-WCB
BONNET	ASTM A216-WCB	ASTM A352-LCC	ASTM A351-CF8M	ASTM A217-WC9	ASTM A216-WCB
DISC	ASTM A182-F6a ASTM A105/ER410 (FOR 4" & Larger)	ASTM A182-F316	ASTM A182-F316	ASTM A182-F22/STL.OVERLAY	ASTM A182-F6a-NC
STEM NUT	ASTM A439 D-2	ASTM A439 D-2	ASTM A439 D-2	ASTM A439 D-2	ASTM A439 D-2
GLAND FLANGE	ASTM A216-WCB	ASTM A352-LCB	ASTM A351-CF8	ASTM A216-WCB	ASTM A216-WCB
HANDWHEEL	DUCTILE IRON	DUCTILE IRON	DUCTILE IRON	DUCTILE IRON	DUCTILE IRON
IMPACT BLOCK	CARBON STEEL	CARBON STEEL	CARBON STEEL	CARBON STEEL	CARBON STEEL
RETAIN PLATE	CARBON STEEL	CARBON STEEL	CARBON STEEL	CARBON STEEL	CARBON STEEL
SEAT RING	ASTM A105/STL.OVERLAY	ASTM A182-F316/STL.OVERLAY	ASTM A182-F316/STL.OVERLAY	ASTM A182-F22/STL.OVERLAY	ASTM A105/STL.OVERLAY
STEM	ASTM A182-F6a	ASTM A182-F316	ASTM A182-F316	ASTM A182-F6a	ASTM A182-F6a-NC
BACK SEAT	ASTM A276-420	ASTM A276-316	ASTM A276-316	ASTM A276-420	ASTM A276-420-NC
GLAND	ASTM A276-420	STAINLESS STEEL	ASTM A276-316	ASTM A276-420	ASTM A276-420-NC
SPACE RING	ASTM A276-420	ASTM A276-316	ASTM A276-316	ASTM A276-420	ASTM A276-420-NC
DISC NUT	ASTM A276-420	ASTM A276-316	ASTM A276-316	ASTM A276-420	ASTM A276-420-NC
STEM WASHER	ASTM A276-430	NO	NO	ASTM A276-430	STAINLESS STEEL
HANDWHEEL WASHER	CARBON STEEL	CARBON STEEL	STAINLESS STEEL	CARBON STEEL	CARBON STEEL
BONNET GASKET	SOFT STEEL	ASTM A276-316	ASTM A276-316	SOFT STEEL	SOFT STEEL
PACKING	316+GRAPHITE	316+GRAPHITE	316+GRAPHITE	316+GRAPHITE	316+GRAPHITE
PACKING	GRAPHITE	GRAPHITE	GRAPHITE	GRAPHITE	GRAPHITE
BONNET STUD	ASTM A193-B7	ASTM A320-L7M	ASTM A193-B8	ASTM A193-B16	ASTM A193-B7M
BONNET NUT	ASTM A194-2H	ASTM A194-7M	ASTM A194-8	ASTM A194-4	ASTM A194-2HM
EYE BOLT	ASTM A193-B7	ASTM A320-L7M	ASTM A193-B8	ASTM A193-B16	ASTM A193-B7M
GLAND NUT	ASTM A194-2H	ASTM A194-7M	ASTM A194-8	ASTM A194-4	ASTM A194-2HM
HANDWHEEL NUT	CARBON STEEL	CARBON STEEL	STAINLESS STEEL	CARBON STEEL	CARBON STEEL
EYE BOLT PIN	CARBON STEEL	STAINLESS STEEL	STAINLESS STEEL	STAINLESS STEEL	CARBON STEEL
RIVET	CARBON STEEL	CARBON STEEL	STAINLESS STEEL	CARBON STEEL	CARBON STEEL
NAME PLATE	STAINLESS STEEL	STAINLESS STEEL	STAINLESS STEEL	STAINLESS STEEL	STAINLESS STEEL

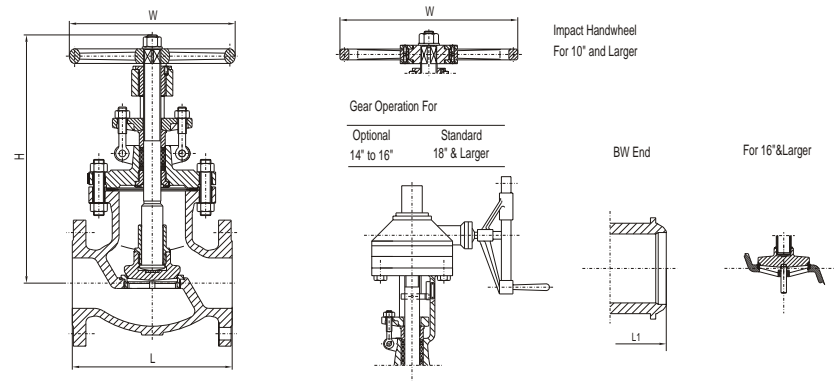
Notes: Above materials are general, when ordered, Please contact NEWAY Sales or technical team to confirm the details.

Class 150 Cast Carbon Steel Globe Valve

BS 1873 Design,
Bolted Bonnet, OS&Y,
Screwed-in Back Seat,
Rising Stem and Handwheel,
Swivel Disc

Figure NO.:

GL1R,WCB/NO.8
GL1B,WCB/NO.8



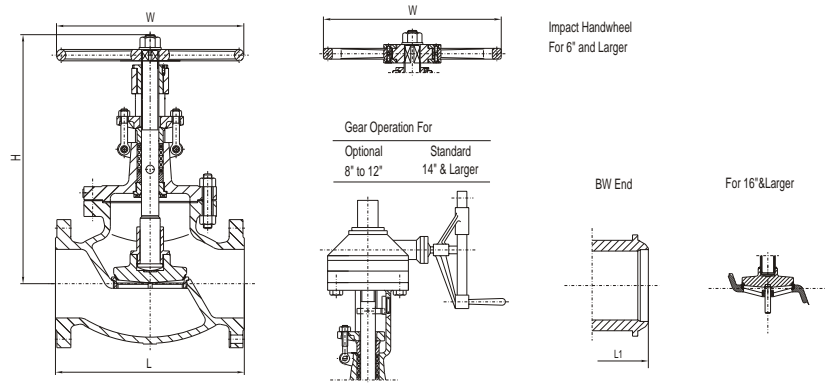
NPS	in	2"	2-1/2"	3"	4"	5"	6"	8"	10"	12"	14"	16"	18"	20"	24"
DN	mm	50	65	80	100	125	150	200	250	300	350	400	450	500	600
L-L1 (RF-BW)	in	8	8.5	9.5	11.5	14	16	19.5	24.5	27.5	31	36	38.5	38.5	51
	mm	203	216	241	292	356	406	495	622	699	787	914	978	978	1295
W	in	8	10	10	12	14	14	16	20	20	22	26	24	24	31.9
	mm	200	250	250	300	350	350	400	500	500	560	650	610	610	810
H	in	13.3	14.7	15.6	18.7	19.6	20.6	23.1	29.1	33.9	37.4	39.2	44.9	49.7	60
	mm	338	373	396	476	497	524	588	738	862	950	994	1140	1262	1524
WT(RF)	Kg	21	29	35	58	78	104	162	289	485	550	724	1400	2600	3700
WT(BW)	Kg	17	20	30	47	71	86	138	219	362	491	650	1250	2300	3250

Class 300 Cast Carbon Steel Globe Valve

BS 1873 Design,
Bolted Bonnet, OS&Y,
Screwed-in Back Seat,
Rising Stem and Handwheel,
Swivel Disc

Figure NO.:

GL3R,WCB/NO.8
GL3B,WCB/NO.8



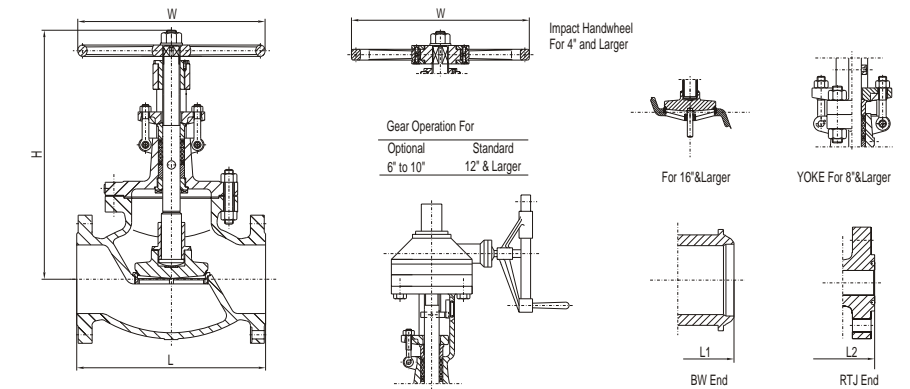
NPS	in	2"	2-1/2"	3"	4"	5"	6"	8"	10"	12"	14"	16"	18"	20"
DN	mm	50	65	80	100	125	150	200	250	300	350	400	450	500
L-L1 (RF-BW)	in	10.5	11.5	12.5	14	15.75	17.5	22	24.5	28	33	34	38.5	40
	mm	267	292	318	356	400	445	559	622	711	838	864	978	1016
W	in	8	10	10	14	18	20	22	24	26	24	24	38.5	40
	mm	200	250	250	350	450	500	560	600	650	610	610	610	810
H	in	13.9	15.3	16.6	19.5	22.7	26.6	35.9	37.4	40.6	44.5	51.6	57.5	64.3
	mm	353.5	388.5	420.5	495.5	576.5	674.5	911.5	949	1032	1130	1310	1460	1632
WT(RF)	Kg	26	38	51	76	125	173	297	500	724	1125	1650	2700	3650
WT(BW)	Kg	21	29	38	59	104	137	237	432	632	975	1450	2400	3200

Class 600 Cast Carbon Steel Globe Valve

BS 1873 Design,
Bolted Bonnet, OS&Y,
Screwed-in Back Seat,
Rising Stem and Handwheel,
Swivel Disc

Figure NO.:

GL6R,WCB/NO.8
GL6B,WCB/NO.8



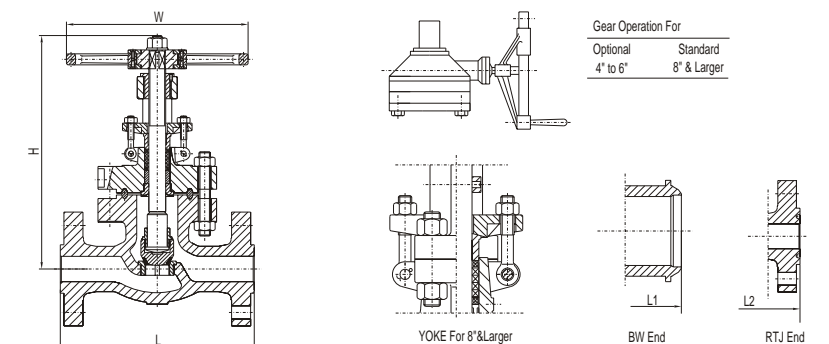
NPS	in	2"	2-1/2"	3"	4"	5"	6"	8"	10"	12"	14"	16"	18"
DN	mm	50	65	80	100	125	150	200	250	300	350	400	450
L-L1 (RF-BW)	in	11.5	13	14	17	20	22	26	31	33	35	39	43
	mm	292	330	356	432	508	559	660	787	838	889	991	1092
L2 (RTJ)	in	11.62	13.12	14.12	17.12	20.12	22.12	26.12	31.12	33.12	35.12	39.12	43.1
	mm	295	333	359	435	511	562	663	790	841	892	994	1095
W	in	10	10	14	18	20	22	24	28	24	24	30	32
	mm	250	250	350	450	500	560	600	700	610	610	762	810
H	in	15.6	17.6	19.5	23.6	27.6	31.1	39.9	46.5	55	57.1	63.4	70.9
	mm	396.5	446	495.5	599	700	791	1014	1180	1397	1450	1610	1801
WT(RF)	Kg	37	50	62	150	187	294	543	1006	1350	1620	2160	3300
WT(BW)	Kg	30	40	58	132	142	227	460	729	1060	1330	1750	2800

Class 900 Cast Carbon Steel Globe Valve

BS 1873 Design,
Bolted Bonnet, OS&Y,
Screwed-in Back Seat,
Rising Stem and Handwheel,
Swivel Disc

Figure NO.:

GL9R,WCB/NO.5
GL9J,WCB/NO.5
GL9B,WCB/NO.5



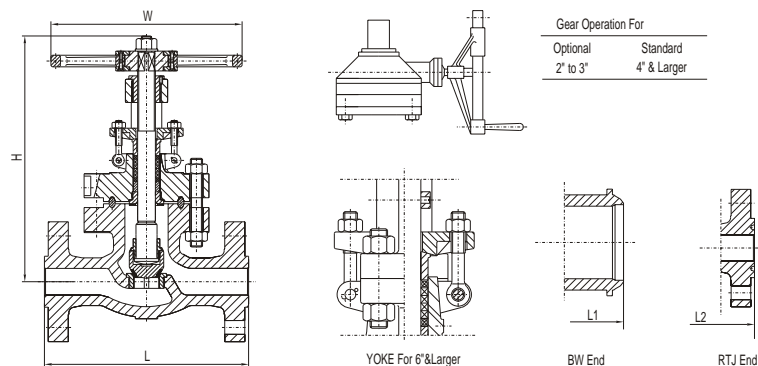
NPS	in	2"	2-1/2"	3"	4"	6"	8"	10"	12"	14"	16"
DN	mm	50	65	80	100	150	200	250	300	350	400
L-L1 (RF-BW)	in	14.5	16.5	15	18	24	29	33	38	40.5	44.5
	mm	368	419	381	457	610	737	838	965	1029	1130
L2 (RTJ)	in	14.62	16.62	15.12	18.12	24.12	29.12	33.1	38.1	40.9	44.9
	mm	371	422	384	460	613	740	841	968	1038	1140
W	in	14	14	18	20	24	24	24	31.9	31.9	31.9
	mm	350	350	450	500	610	610	610	810	810	810
H	in	23.2	26	27.5	31.3	43.6	46.6	58.2	69.1	76.1	87
	mm	590	660	699	795	1108	1184	1479	1755	1934	2210
WT(RF)	Kg	95	138	110	197	435	720	1070	1920	2670	3520
WT(BW)	Kg	75	85	112	158	360	597	890	1690	2390	3170

Class 1500 Cast Carbon Steel Globe Valve

BS 1873 Design,
Bolted Bonnet, OS&Y,
Screwed-in Back Seat,
Rising Stem and Handwheel,
Swivel Disc

Figure NO.:

GL15R,WCB/NO.5
GL15J,WCB/NO.5
GL15B,WCB/NO.5



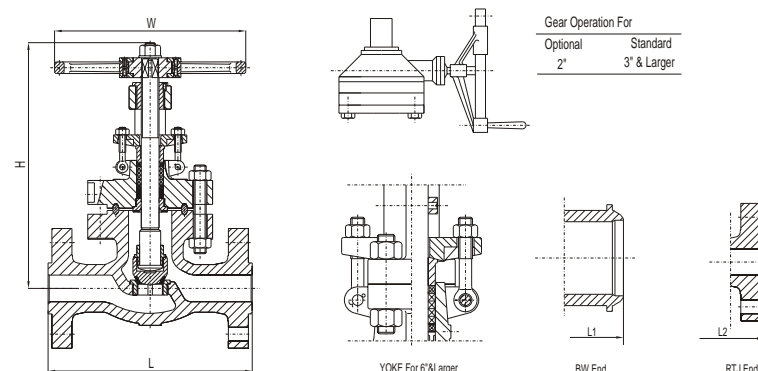
NPS	in	2"	2-1/2"	3"	4"	6"	8"	10"	12"
DN	mm	50	65	80	100	150	200	250	300
L-L1 (RF-BW)	in	14.5	16.5	18.5	21.5	27.75	32.75	39	44.5
	mm	368	419	470	546	705	832	991	1130
L2 (RTJ)	in	14.62	16.62	18.62	21.62	28.00	33.13	39.4	45.1
	mm	371	422	473	549	711	842	1000	1146
W	in	14	14	20	22	24	24	31.9	31.9
	mm	350	350	500	560	610	610	810	810
H	in	21.7	22.5	22.9	31.3	50.3	77.2	96.5	114.3
	mm	550	572	582	795	1278	1960	2450	2904
WT(RF)	Kg	85	138	215	350	560	990	1530	2570
WT(BW)	Kg	75	112	129	299	462	830	1330	2270

Class 2500 Cast Carbon Steel Globe Valve

BS 1873 Design,
Bolted Bonnet, OS&Y,
Screwed-in Back Seat,
Rising Stem and Handwheel,
Swivel Disc

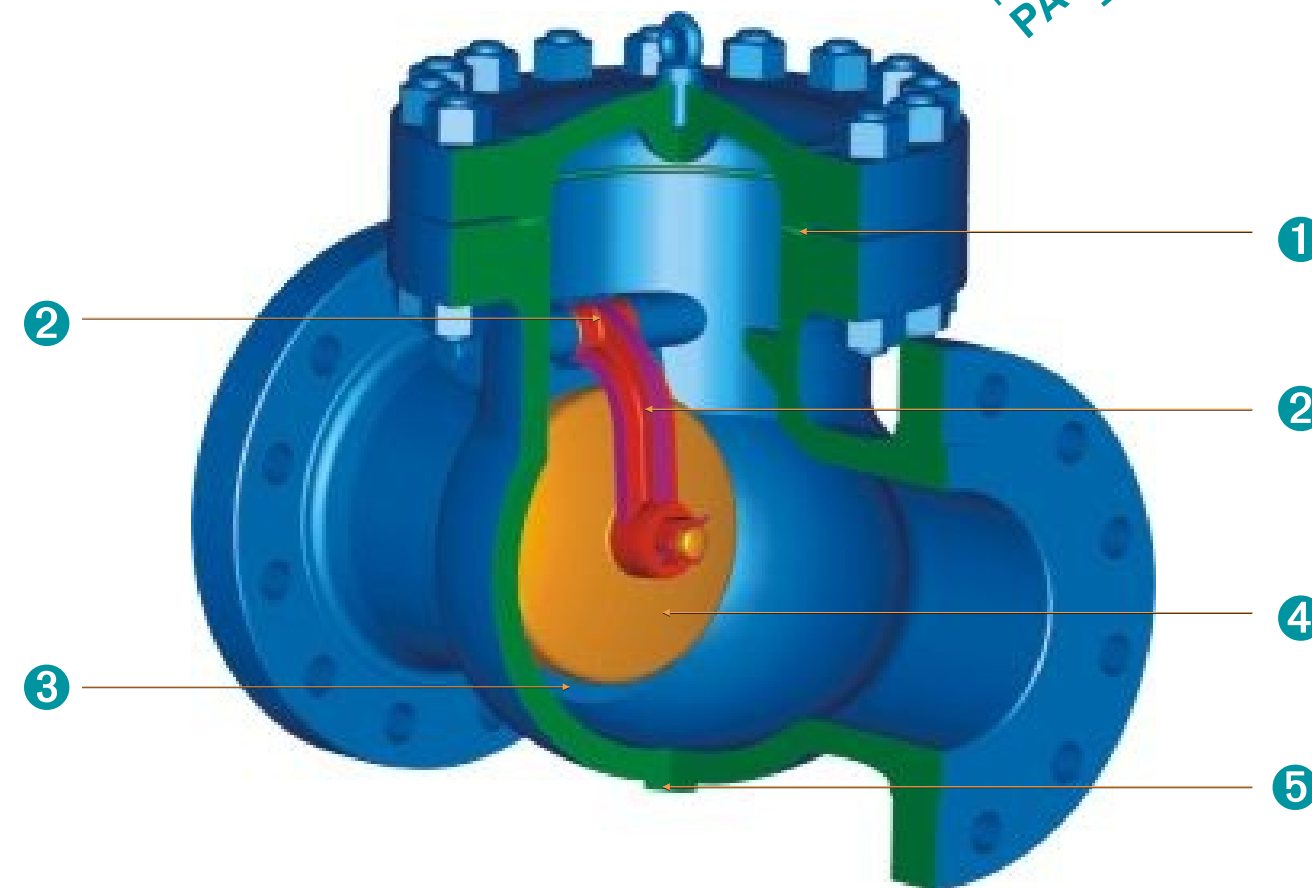
Figure NO.:

GL25R,WCB/NO.5
GL25J,WCB/NO.5
GL25B,WCB/NO.5



NPS	in	2"	2-1/2"	3"	4"	6"	8"	10"
DN	mm	50	65	80	100	150	200	250
L-L1 (RF-BW)	in	17.75	20	22.75	26.5	36	40.25	50
	mm	451	508	578	673	914	1022	1270
L2 (RTJ)	in	17.88	20.25	23.00	26.88	36.50	40.88	50.9
	mm	454	514	584	683	927	1038	1292
W	in	16	20	22	24	24	24	31.9
	mm	400	500	560	610	610	610	810
H	in	28.3	31.5	34.8	49.6	75	97	122.4
	mm	720	800	885	1260	1905	2465	3108
WT(RF)	Kg	176	264	308	759	1990	4390	5290
WT(BW)	Kg	141	214	238	644	1700	3950	4390

LOW EMISSION
FEATURE
PLEASE REFER
PAGE:42



- 1 Corrugated steel gasket for 150lb valves, spiral wound gasket for 300lb & 600lb valves, and ring joint for 900lb & above valves or as an optional for the 600lb valves on customer request.
- 2 A hinge and hinge pin provided and mounted so as to permit full movement of the disc.
- 3 Standard renewable seal welded seat with satellite 6 while optional screwed-in seat.
- 4 Standard swing type disc only in horizontal pipe lines handling liquids.
- 5 Normal provision for a drain tapping at location G while additional bosses on customer request.

Part	Standard	Low Temperature Service	Stainless Steel	High Temperature Service	Sour Service
BODY	ASTM A216-WCB	ASTM A352-LCC	ASTM A351-CF8M	ASTM A217-WC9	ASTM A216-WCB
COVER	ASTM A216-WCB	ASTM A352-LCC	ASTM A351-CF8M	ASTM A217-WC9	ASTM A216-WCB
DISC	ASTM A217-CA15(4"&Smaller) &ASTM A216-WCB/ER410	ASTM A352-LCC/316 OVERLAY	ASTM A351-CF8M	ASTM A217-WC9/STL. OVERLAY	ASTM A217-CA15-NC(4"&Smaller) &ASTM A216-WCB/ER410-NC
HINGE	ASTM A216-WCB	ASTM A352-LCC	ASTM A351-CF8M	ASTM A217-WC9	ASTM A216-WCB
SEAT RING	ASTM A105/STL. OVERLAY	ASTM A182-F316/STL. OVERLAY	ASTM A182-F316/STL. OVERLAY	ASTM A182-F22/STL. OVERLAY	ASTM A105/STL. OVERLAY
HINGE PIN	ASTM A276-410	ASTM A276-316	ASTM A276-316	ASTM A276-410	ASTM A276-410-NC
PLUG FOR HINGE PIN	CARBON STEEL	ASTM A276-316	ASTM A276-316	STAINLESS STEEL	CARBON STEEL
WASHER	STAINLESS STEEL	ASTM A276-316	ASTM A276-316	STAINLESS STEEL	STAINLESS STEEL
DISC NUT	ASTM A276-420	ASTM A276-316	ASTM A276-316	ASTM A276-420	STAINLESS STEEL
DISC WASHER	ASTM A276-420	ASTM A276-316	ASTM A276-316	ASTM A276-420	STAINLESS STEEL
DISC SPLIT PIN	ASTM A276-420	ASTM A276-316	ASTM A276-316	ASTM A276-420	STAINLESS STEEL
BONNET RING JOINT	SOFT STEEL	ASTM A276-316	ASTM A276-316	ASTM A276-304	SOFT STEEL
BONNET STUD	ASTM A193-B7	ASTM A320-L7M	ASTM A193 B8	ASTM A193-B16	ASTM A193-B7M
BONNET NUT	ASTM A194-2H	ASTM A194-7M	ASTM A194 8	ASTM A194-4	ASTM A194-2HM
RIVET	CARBON STEEL	CARBON STEEL	STAINLESS STEEL	CARBON STEEL	CARBON STEEL
NAME PLATE	STAINLESS STEEL	STAINLESS STEEL	STAINLESS STEEL	STAINLESS STEEL	STAINLESS STEEL
HOOK SCREW	CARBON STEEL	CARBON STEEL	STAINLESS STEEL	CARBON STEEL	CARBON STEEL

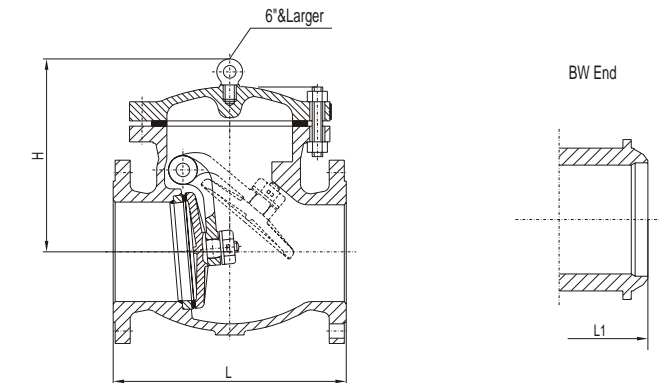
Notes: Above materials are general, when ordered, Please contact NEWAY Sales or technical team to confirm the details.

Class 150 Cast Carbon Steel Check Valve

BS 1868 Design, Bolted Cover, Swing Type Disc

Figure NO.:

S1R,WCB/NO.8
S1B,WCB/NO.8



NPS	in	2"	2-1/2"	3"	4"	5"	6"	8"	10"	12"	14"	16"	18"	20"	24"	26"	28"	30"	32"	36"	40"	42"	48"
DN	mm	50	65	80	100	125	150	200	250	300	350	400	450	500	600	650	700	750	800	900	1000	1050	1200
L-L1 (RF-BW)	in	8	8.5	9.5	11.5	13	14	19.5	24.5	27.5	31	34	38.5	38.5	51	51	57	60	68	77	85	89	101
	mm	203	216	241	292	330	356	495	622	699	787	864	978	978	1295	1295	1448	1524	1727	1956	2159	2261	2566
H	in	5.9	6.6	6.7	8	9.1	11.7	13.8	15.3	17.2	18.8	20.7	22.9	24.7	34.6	35.8	36.8	38.2	49.2	54.2	55.5	57.8	64.6
	mm	150.5	168	171	204	230	296.5	351.5	389.5	437.5	476.5	525	582	627	880	910	935	970	1250	1377	1410	1468	1642
WT(RF)	Kg	15	22	28	42	57	79	131	177	282	380	542	632	855	970	1276	1600	2020	2430	3130	4230	5030	6680
WT(BW)	Kg	10	12	17	29	45	57	96	143	227	294	468	552	755	831	1120	1420	1760	2130	2930	3730	4430	5680

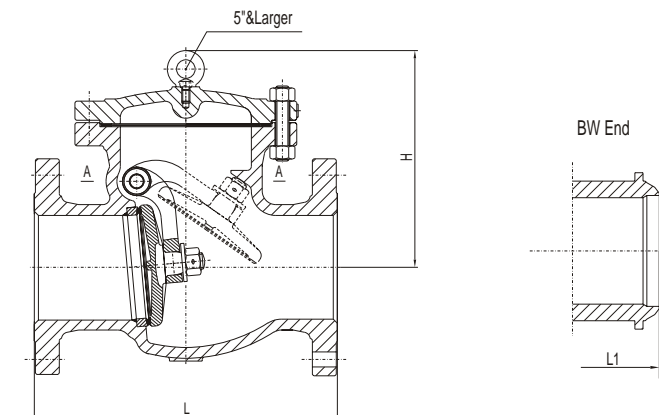
* (1) For size of larger than 48" valve, Please contact Neway sales or engineering team for details.

Class 300 Cast Carbon Steel Check Valve

BS 1868 Design, Bolted Cover, Swing Type Disc

Figure NO.:

S3R,WCB/NO.8
S3B,WCB/NO.8



NPS	in	2"	2-1/2"	3"	4"	5"	6"	8"	10"	12"	14"	16"	18"	20"	24"	26"	28"	30"	32"	36"	40"	42"	48"
DN	mm	50	65	80	100	125	150	200	250	300	350	400	450	500	600	650	700	750	800	900	1000	1050	1200
L-L1 (RF-BW)	in	10.5	11.5	12.5	14	15.75	17.5	21	24.5	28	33	34	38.5	40	53	53	59	62.75	68	82	96	103	124
	mm	267	292	318	356	400	445	533	622	711	838	864	978	1016	1346	1346	1499	1594	1727	2083	2438	2617	3151
H	in	6.9	7.3	8.5	10.2	12	12.5	15	17.1	20.1	22.1	23.5	26.6	28.7	33.9	36.6	45.8	50	50.0	59.4	68.9	73.6	87.8
	mm	176	185	216	259	304	317	380	434	511	561	596	675	730	860	930	1163	1270	1270	1510	1750	1870	2230
WT(RF)	Kg	20	30	40	65	84	118	193	310	450	595	840	933	1320	1848	2375	2660	3680	3880	5030	6290	7050	9310
WT(BW)	Kg	16	22	30	53	73	101	157	232	414	455	766	774	960	1792	1995	2260	2780	3380	4430	5640	6150	8310

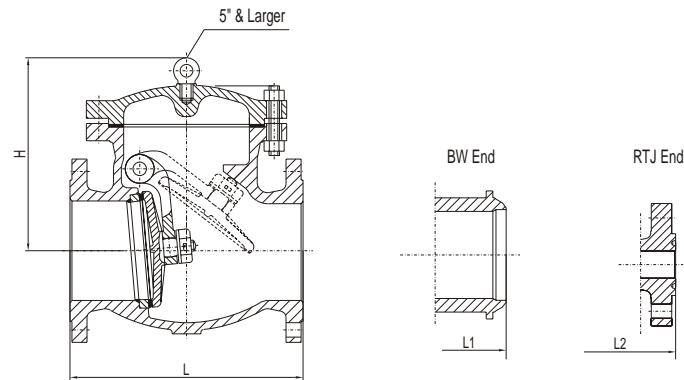
* (1) For size of larger than 48" valve, Please contact Neway sales or engineering team for details.

Class 600 Cast Carbon Steel Check Valve

BS 1868 Design, Bolted Cover, Swing Type Disc

Figure NO.:

S6R,WCB/NO.8
S6B,WCB/NO.8



NPS	in	2"	2-1/2"	3"	4"	5"	6"	8"	10"	12"	14"	16"	18"	20"	24"	26"	28"	30"	32"	36"	40"	42"	48"
DN	mm	50	65	80	100	125	150	200	250	300	350	400	450	500	600	650	700	750	800	900	1000	1050	1200
L-L1 (RF-BW)	in	11.5	13	14	17	20	22	26	31	33	35	39	43	47	55	57	63	65	70	82	90	96	100
	mm	292	330	356	432	508	559	660	787	838	889	991	1092	1194	1397	1448	1600	1651	1778	2083	2286	2438	2540
L2 (RTJ)	in	11.62	13.12	14.12	17.12	20.12	22.12	26.12	31.12	33.12	35.12	39.12	43.12	47.25	55.38	57.5	63.5	65.5	70.6	82.6	-	-	-
	mm	295	333	359	435	511	562	663	790	841	892	994	1095	1200	1407	1461	1613	1664	1794	2099	-	-	-
H	in	7.2	8.3	9.1	10.4	11.6	14.7	16.8	20.4	22.4	24.5	26.8	29.6	38.4	43.7	43.7	46.9	52.1	53.8	60.7	67.0	70.9	85.5
	mm	184	210	232	263	295	374	426	517	569	622	680	752	975	1111	1110	1192	1324	1367	1542	1702	1800	2171
WT(RF)	kg	30	43	55	93	160	208	339	547	715	885	1310	1620	2120	3100	3800	4600	5500	6800	8100	8900	9800	11100
WT(BW)	kg	21	35	43	64	115	145	256	375	589	694	932	1279	1702	2497	3100	3900	4700	6000	7200	8100	9900	10200

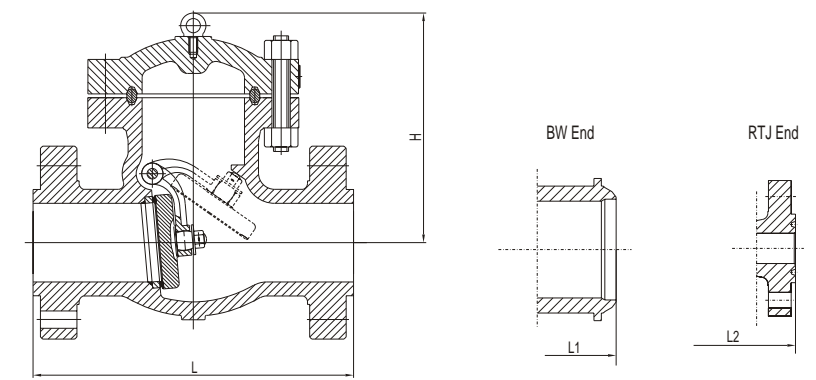
* (1) For size of larger than 48" valve, Please contact Neway sales or engineering team for details.

Class 1500 Cast Carbon Steel Check Valve

BS 1868 Design, Bolted Cover, Swing Type Disc

Figure NO.:

S15R,WCB/NO.8
S15B,WCB/NO.8
S15J,WCB/NO.8



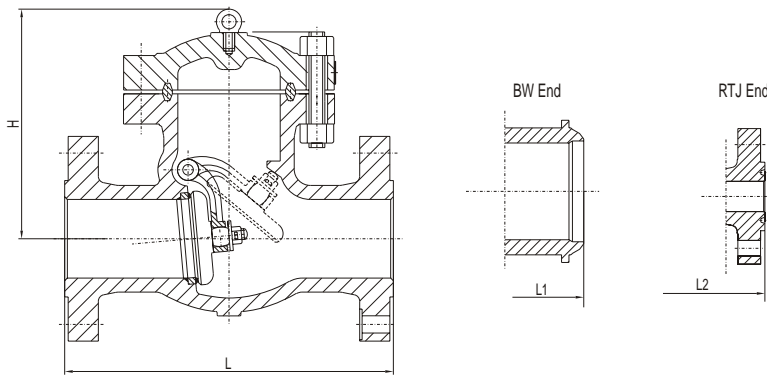
NPS	in	2"	2-1/2"	3"	4"	6"	8"	10"	12"	14"	16"	18"	20"	24"	26"	28"	30"
DN	mm	50	65	80	100	150	200	250	300	350	400	450	500	600	650	700	750
L-L1 (RF-BW)	in	14.5	16.5	18.5	21.5	27.75	32.75	39	44.5	49.5	54.5	60.5	65.5	76.5	82.0	87.5	93.0
	mm	368	419	470	546	705	832	991	1130	1257	1384	1537	1664	1943	2083	2222.5	2362
L2 (RTJ)	in	14.62	16.62	18.62	21.62	28.00	33.13	39.38	45.12	50.25	55.38	61.4	66.4	77.6	-	-	-
	mm	371	422	473	549	711	842	1000	1146	1276	1407	1559	1686	1972	-	-	-
H	in	11.7	11.8	13.4	16.2	20.1	26.8	29.8	33.7	37.4	40.1	45.2	50.6	60.6	70.6	80.7	90.7
	mm	296	300	341	412	511	680	756	857	950	1020	1147	1284	1539	1794	2049	2304
WT(RF)	kg	70	100	150	245	550	1010	1476	2280	3060	4500	6100	8000	9800	11600	13400	15200
WT(BW)	kg	50	77	115	190	452	750	1012	1780	2290	3500	5200	7500	8400	9300	10200	11100

Class 900 Cast Carbon Steel Check Valve

BS 1868 Design, Bolted Cover, Swing Type Disc

Figure NO.:

S9R,WCB/NO.8
S9B,WCB/NO.8
S9J,WCB/NO.8



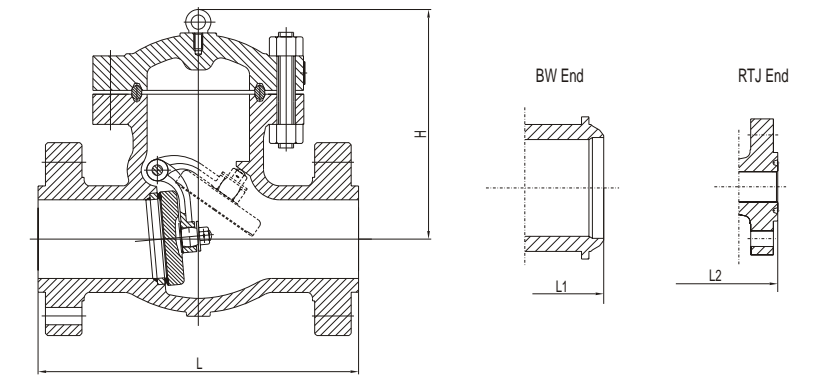
NPS	in	2"	2-1/2"	3"	4"	6"	8"	10"	12"	14"	16"	18"	20"	24"	26"	28"	30"	32"	36"
DN	mm	50	65	80	100	150	200	250	300	350	400	450	500	600	650	700	750	800	900
L-L1 (RF-BW)	in	14.5	16.5	15	18	24	29	33	38	40.5	44.5	48.0	52.0	61.0	65.0	69.0	73.0	77.0	84.9
	mm	368	419	381	457	610	737	838	965	1029	1130	1219	1321	1549	1651	1753	1854	1956	2156
L2 (RTJ)	in	14.62	16.62	15.12	18.12	24.12	29.12	33.12	38.12	40.88	44.88	48.5	52.5	61.7	65.9	69.9	73.9	-	-
	mm	371	422	384	460	613	740	841	968	1038	1140	1232	1333	1568	1673	1775	1876	-	-
H	in	11.7	11.8	11.8	12.9	17.4	19.8	26.1	30.5	30.8	33	33.0	36.7	36.4	44.1	54.0	59.9	65.8	71.7
	mm	296	300	300	327	441	502	664	775	782	838	839	932	924	1121	1372	1521	1671	1821
WT(RF)	kg	70	100	110	150	305	510	810	1120	1380	1900	3000	4000	5200	6600	7550	8850	10150	12750
WT(BW)	kg	50	68	77	113	230	387	632	901	1139	1613	2650	3550	4650	5630	6420	7510	8600	10780

Class 2500 Cast Carbon Steel Check Valve

BS 1868 Design, Bolted Cover, Swing Type Disc

Figure NO.:

S25R,WCB/NO.8
S25B,WCB/NO.8
S25J,WCB/NO.8



NPS	in	2"	2-1/2"	3"	4"	6"	8"	10"	12"	14"	16"	18"	20"	24"
DN	mm	50	65	80	100	150	200	250	300	350	400	450	500	600
L-L1 (RF-BW)	in	17.75	20	22.75	26.5	36	40.25	50	56	62.0	68.0	73.9	79.9	91.9
	mm	451	508	578	673	914	1022	1270	1422	1575	1727	1877	2029	2334
L2 (RTJ)	in	17.87	20.25	23.00	26.88	36.50	40.87	50.88	56.88	-	-	-	-	-
	mm	454	514	584	683	927	1038	1292	1445	-	-	-	-	-
H	in	16.4	16.5	17.4	18.9	20.1	28	33.5	39.4	47.2	51.2	55.1	59.1	63.0
	mm	416	419	441	479	511	711	851	1000	1200	1300	1400	1500	1600
WT(RF)	kg	145	240	330	650	806	2420	3750	5500	7400	9010	11200	12700	14000
WT(BW)	kg	110	190	260	535	665	1980	2980	4350	6200	8250	9400	11890	13000